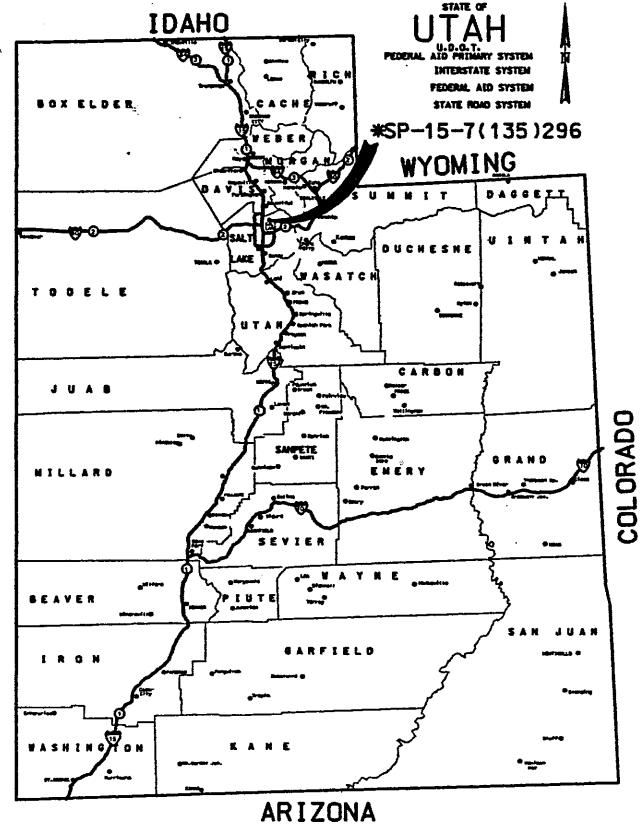


Date: 11-14-00 User: rname11/guaroo

F:\encas\sgnet15_cood\90_97\sheet_01\sheet_title.dgn



UTAH
DEPARTMENT OF TRANSPORTATION

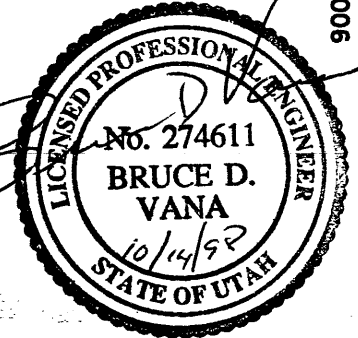
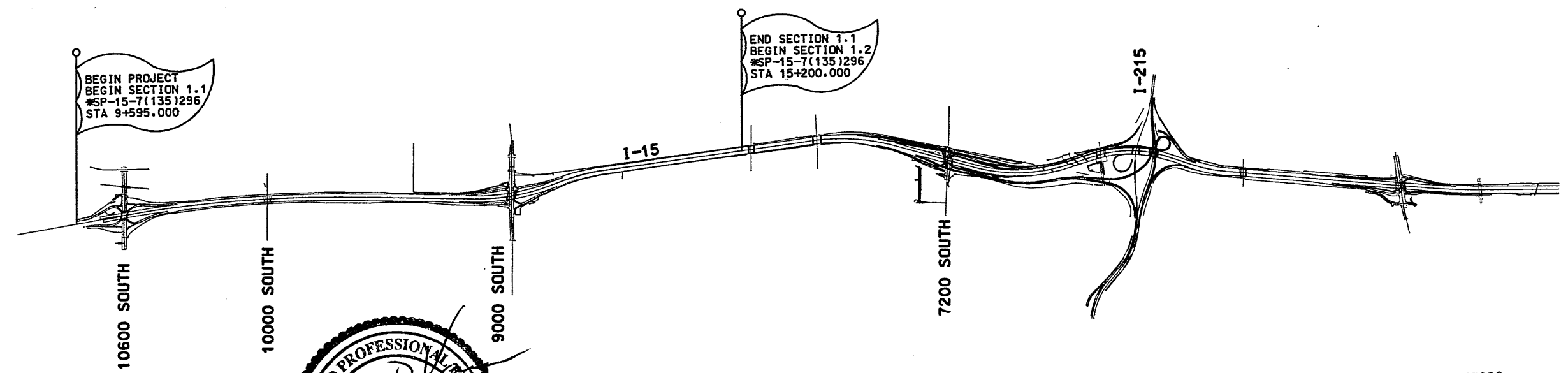
PLANS OF PROPOSED STATE ROAD
I-15

*SP-15-7(135)296
I-15 CORRIDOR RECONSTRUCTION
SALT LAKE COUNTY

DESIGN SECTION 1.1, 5.6 KILOMETERS
ROADWAY, GRADING, DRAINAGE, SIGNING,
LIGHTING, SIGNALS, PAVEMENT MARKINGS,
RETAINING WALLS, ATMS, STRUCTURES.

FED. ROAD DIST. NO.	STATE	PROJECT NO.	SHEET NO.
UTAH	UTAH	*SP-15-7(135)296	1

METRIC



WASATCH CONSTRUCTORS
OCT 22 1998
RELEASED FOR CONSTRUCTION

APPROVED FOR CONSTRUCTION	
NO.	DATE
1	10/12/98
DESCRIPTION	
100% FULL ROADWAY	

SHEET INDEX

ROADWAY DRAWINGS	
SHEET NO.	DESCRIPTION
1.1-1	TITLE
1.1-1A	SHEET INDEX
1.1-1A.2	UDDT STD DRAWINGS
1.1-1A.3 TO 1.1-1A.4	CORRIDOR STD DRAWINGS
1.1-1B TO 1.1-1B.1	SHEET REFERENCE
1.1-1C TO 1.1-1J	SURVEY CONTROL
1.1-2A TO 1.1-2K	TYPICAL SECTIONS AND DETAILS
1.1-2L	SHEET DELETED
1.1-2M TO 1.1-2R	TYPICAL SECTIONS AND DETAILS
1.1-3A.1 TO 1.1-3C	QUANTITIES
1.1-3D	SHEET DELETED
1.1-3D.1 TO 1.1-3G.1	QUANTITIES
1.1-DT1 TO 1.1-DT37	DETAILS
1.1-DT38	SHEET DELETED
1.1-DT39 TO 1.1-DT44	DETAILS
1.1-4-1 TO 1.1-4-1E	MOT REFERENCE SHEETS
1.1-4-2 TO 1.1-4-2AL	MOT TYPICAL SECTIONS AND DETAILS
1.1-4-3 TO 1.1-4-62	MOT PLANS
1.1-4-65 TO 1.1-4-87	MOT PLANS
1.1-4-RD1 TO 1.1-4-RD42	TEMPORARY PAVING PLANS
1.1-4-PR1 TO 1.1-4-PR4	TEMPORARY PROFILES
1.1-4-DD1 TO 1.1-4-DD2	TEMPORARY DRAINAGE DETAILS
1.1-4-DR1 TO 1.1-4-DR16	TEMPORARY DRAINAGE PLANS
1.1-4-XS1 TO 1.1-4-XS4	TEMPORARY PAVING CROSS SECTIONS
1.1-TU1 TO 1.1-TU25	TOPOGRAPHY AND UTILITY PLANS
1.1-RD1 TO 1.1-RD18	ROADWAY PLANS
1.1-PR1 TO 1.1-PR43	ROADWAY PROFILES
1.1-DR1 TO 1.1-DR28	DRAINAGE PLANS
1.1-ED1 TO 1.1-ED18	EDGE DRAIN PLANS
1.1-DP1 TO 1.1-DP36	DRAINAGE PROFILES
1.1-DD1 TO 1.1-DD21	DRAINAGE DETAILS
1.1-GR1 TO 1.1-GR23	GRADING PLANS
1.1-GD1 TO 1.1-GD7	GRADING DETAILS
1.1-SS1A TO 1.1-SS98	SIGNING PLANS & DETAILS
1.1-PM1 TO 1.1-PM26	PAVEMENT MARKING PLANS
1.1-S1 TO 1.1-S9	SIGNAL PLANS
1.1-L1A TO 1.1-L31	LIGHTING PLANS
1.1-ATMS1 TO 1.1-ATMS22	ATMS PLANS
1.1-LW1 TO 1.1-LW25	LANDSCAPE PLANS
1.1-IR1 TO 1.1-IR24	IRRIGATION PLANS
1.1-XS1 TO 1.1-XS71	CROSS SECTIONS

SHEET INDEX

STRUCTURE DRAWINGS		
SHEET NO.	DESCRIPTION	SHEETS
E-1445A	DRY CREEK BOX CULVERT	7
F-609N	9000 SOUTH BRIDGE (NORTHBOUND)	29
F-609S	9000 SOUTH BRIDGE (SOUTHBOUND)	28
F-646N	10000 SOUTH BRIDGE (NORTHBOUND)	16
F-646S	10000 SOUTH BRIDGE (SOUTHBOUND)	16
F-663	10600 SOUTHBRIDGE	26

SHEET INDEX

WALL DRAWINGS	
SHEET NO.	DESCRIPTION
1.1-R342	WALL KEY PLAN
1.1-WADET.1 TO 1.1-WADET.2	WALL DETAILS
1.1R-342-1.1 TO 1.1R-342-1.5	WALL PLANS & DETAILS
1.1R-342-3.1 TO 1.1R-342-3.2	WALL PLANS & DETAILS
1.1R-342-5.1 TO 1.1R-342-5.5	WALL PLANS & DETAILS
1.1R-342-7.1 TO 1.1R-342-7.9	WALL PLANS & DETAILS
1.1R-342-8.1 TO 1.1R-342-8.13	WALL PLANS & DETAILS
1.1R-342-9.1 TO 1.1R-342-9.10	WALL PLANS & DETAILS
1.1R-342-10.1 TO 1.1R-342-10.9	WALL PLANS & DETAILS
1.1R-342-11.1 TO 1.1R-342-11.9	WALL PLANS & DETAILS
1.1R-342-12.1 TO 1.1R-342-12.9	WALL PLANS & DETAILS
1.1R-342-13.1 TO 1.1R-342-13.9	WALL PLANS & DETAILS
1.1R-342-14.1 TO 1.1R-342-14.8	WALL PLANS & DETAILS
1.1R-342-15.1 TO 1.1R-342-15.13	WALL PLANS & DETAILS
1.1R-342-16.1 TO 1.1R-342-16.13	WALL PLANS & DETAILS

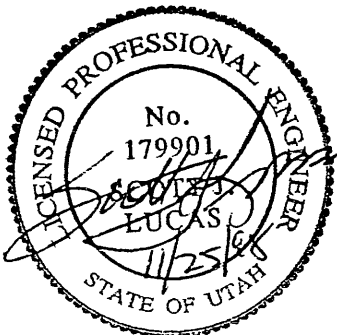
GENERAL NOTES:

1. ALL WORK TO BE DONE IN ACCORDANCE WITH THE UTAH DEPARTMENT OF TRANSPORTATION, I-15 CORRIDOR SPECIFICATIONS (METRIC) FOR ROAD AND BRIDGE CONSTRUCTION, AS CONTAINED IN RFP SECTION 7.1, DATED OCTOBER 1, 1996, AND AMENDED BY ADDENDUM NO. 1, DATED NOVEMBER 1, 1996, ADDENDUM NO. 3, DATED DECEMBER 2, 1996, ADDENDUM NO.4 DATED DECEMBER 16, 1996, ADDENDUM NO. 5, DATED DECEMBER 30, 1996 ADDENDUM NO. 6 DATED FEBRUARY 14, 1997, AND ADDENDUM NO. 7, DATED FEBRUARY 21, 1997, AS MODIFIED BY THE SPECIAL PROVISIONS LISTED BELOW, AND IN ACCORDANCE WITH THE UTAH DEPARTMENT OF TRANSPORTATION STANDARD DRAWINGS, AS CONTAINED IN RFP SECTION 7.2, DATED OCTOBER 1, 1996 AND AMENDED BY ADDENDUM NO. 3, DATED DECEMBER 2, 1996, AS MODIFIED BY THE SPECIAL PROVISIONS LISTED BELOW:

- GENERAL SPECIAL PROVISION NO. 104.6.

2. (DELETED)

3. THE HORIZONTAL AND VERTICAL COORDINATE REFERENCE SYSTEM APPLICABLE TO THIS PROJECT SHALL BE THE "I-15 CORRIDOR SURVEYING AND MAPPING" SP-7 (107) 296 JULY 1995.



APPROVED FOR CONSTRUCTION
 NO. DATE DESCRIPTION
 10/12/98 100% FULL ROADWAY
 11/25/98 FINAL PACKAGE REVISIONS

UTAH DEPARTMENT OF TRANSPORTATION
 H. W. LOCHNER INC.
 SVERDRUP/DE LEUW

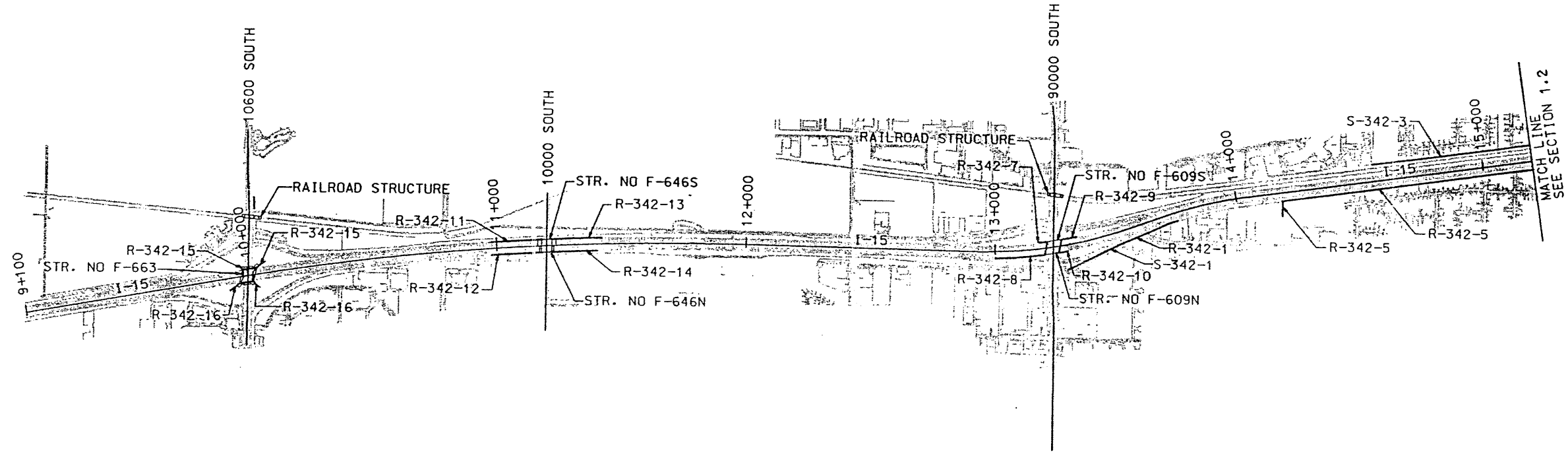
REVISION	7/98	SCOTT J. LUCAS	DESIGN	SJL	7/97	CHECK	BDV	7/98
APPROVED	7/98	BRUCE VANA	PROJECT DESIGN ENGINEER	PJ	7/97	CHECK	BDV	7/98
			SECTION MANAGER			QUANT.	N/A	N/A

I-15 CORRIDOR RECONSTRUCTION
 SHEET INDEX
 SECTION 1.1
 PROJECT NUMBER #SP-15-7(1357296)

SALT LAKE COUNTY
 DWG. NO. 1.1-1A
 SHT. 2 OF 832

INDEX

User Name: lucasb
 Date: 24-NOV-1998 Time: 18:33
 File Name: c:\vgn\115_cadd\30_97\sheet\1.1\index\90_index_11f.dgn



I-15 CORRIDOR RECONSTRUCTION		UTAH DEPARTMENT OF TRANSPORTATION		APPROVED FOR CONSTRUCTION	
RETAINING WALL KEY PLAN		H. W. LOCHNER SVERDRUP/DE LEUW		DESCRIPTION	
SECTION 1.1		DESIGNER: SCOTT LUCAS		NO. DATE	
PROJECT NUMBER #SP-15-7(135)296		DATE: 9/10/97		3/12/98 ORIGINAL RELEASE-I-15 SB GDP	
SALT LAKE COUNTY		PROJECT DESIGN ENGINEER		5/14/98 10600 SO SPUT GDP	
DWC. NO. 1.1R-342		DRAWN: LAU			
SHT. _____ OF _____		BRUCE VANA			
		SECTION MANAGER			
		DATE: 9/10/97			
		CHECK: BDV			
		DATE: 9/10/97			
		CHECK: BDV			
		DATE: 9/10/97			
		CHECK: _____			
		DATE: _____			
		QUANT. 1113100			