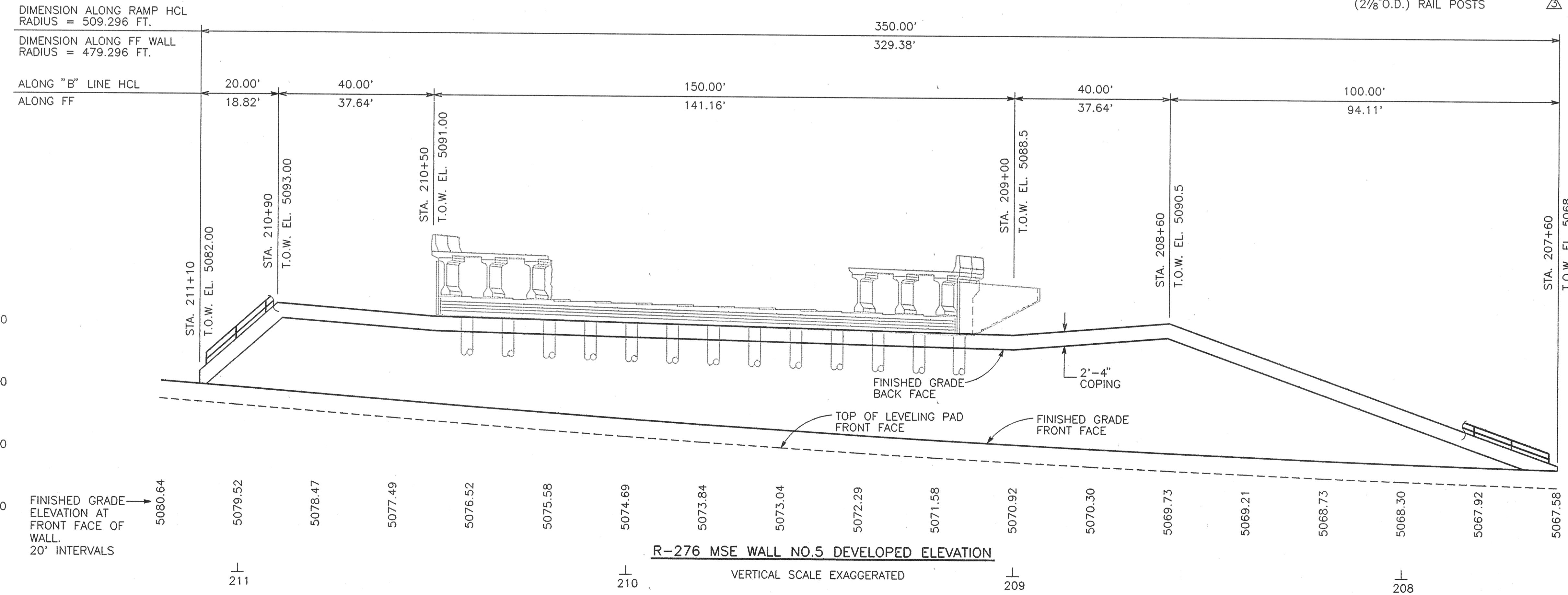
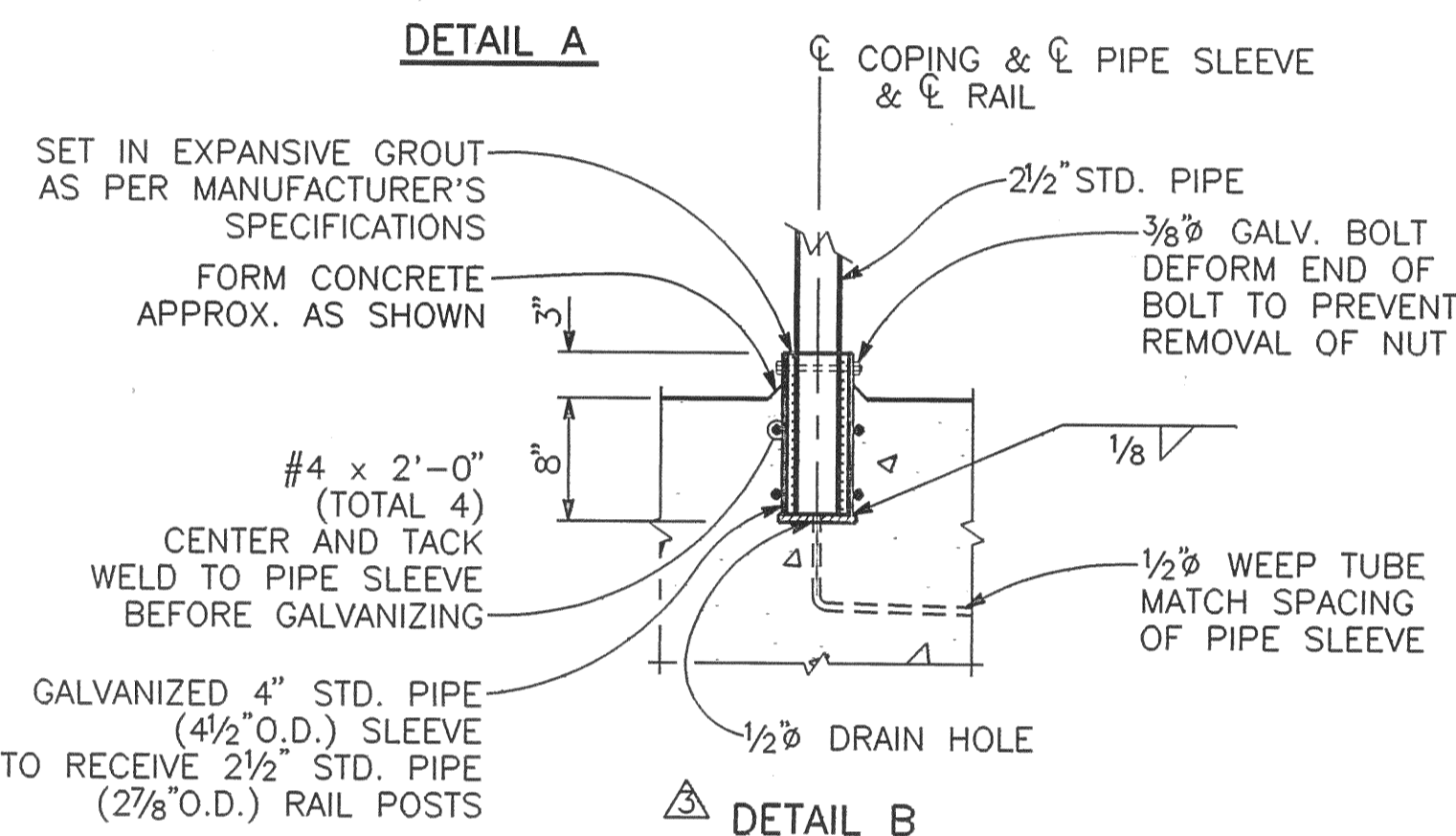
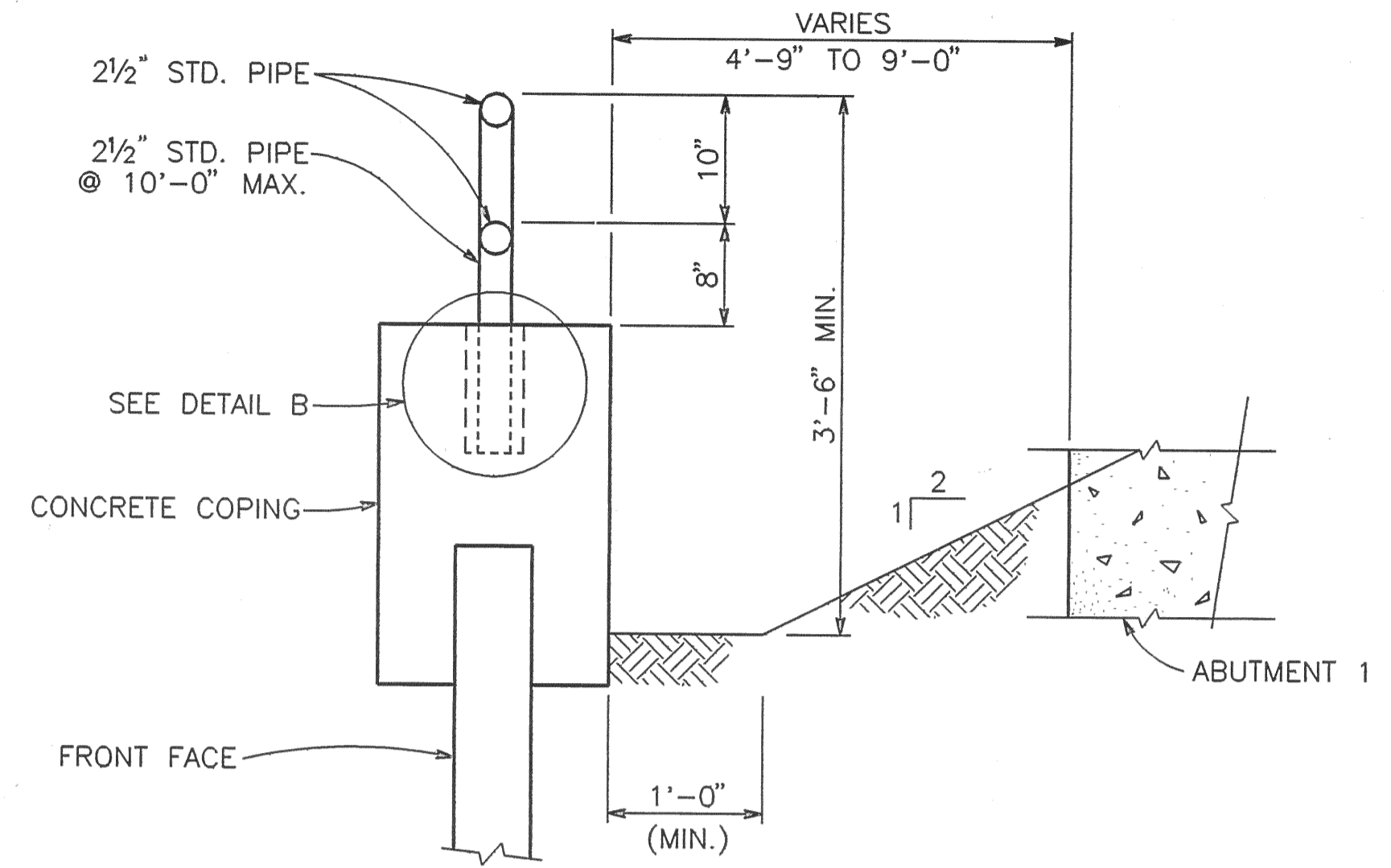
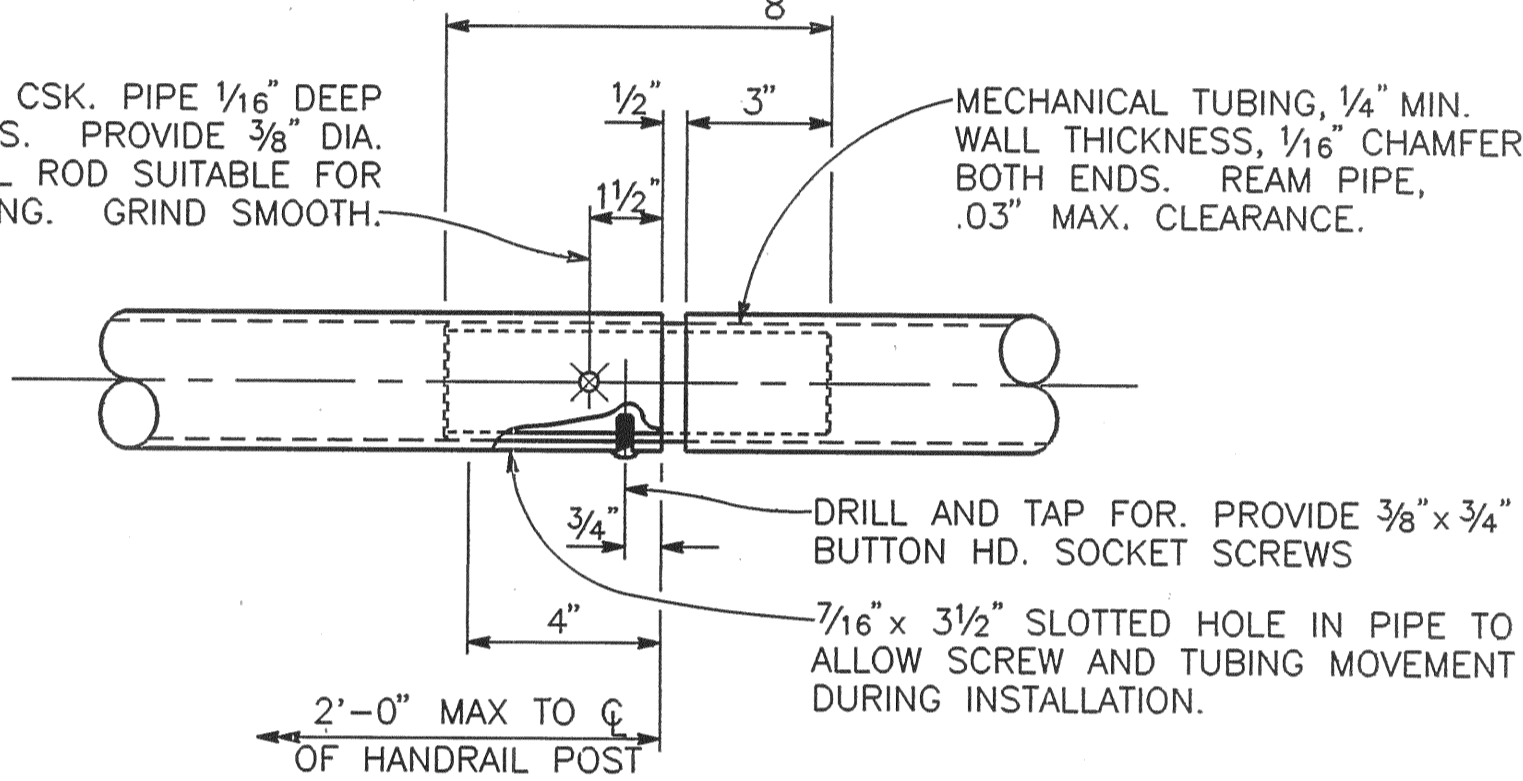
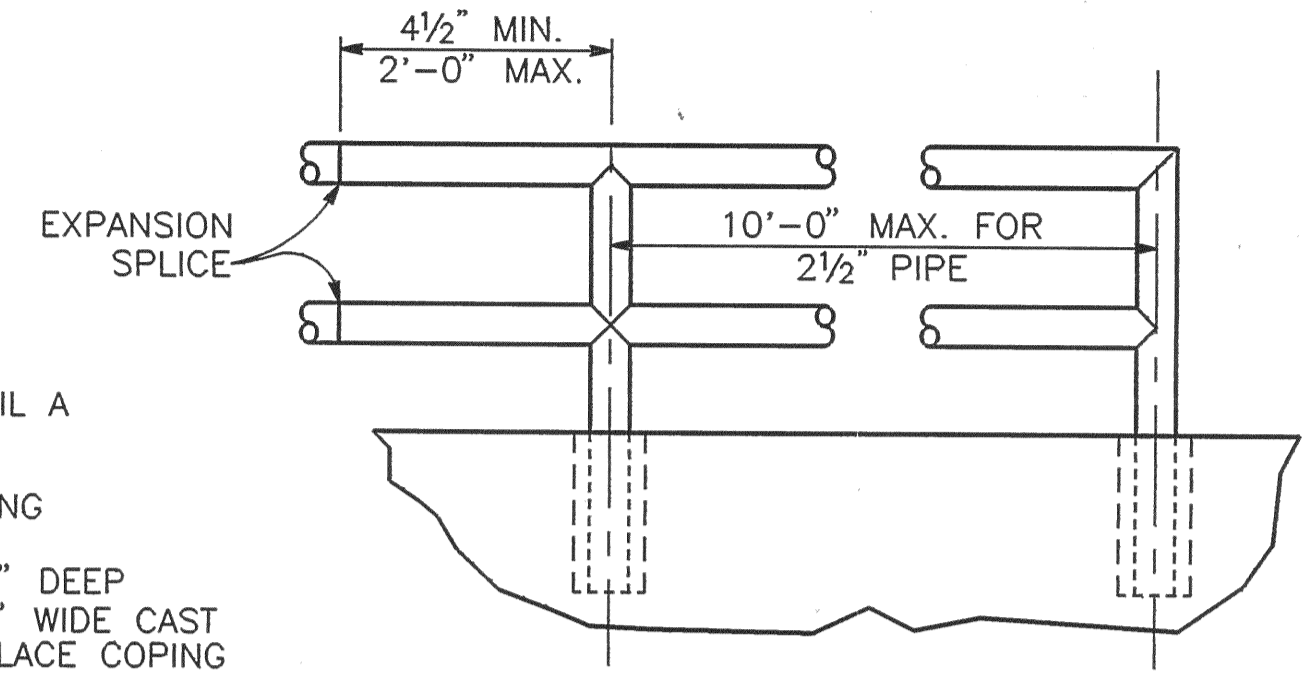


**NOTES**

1. WELD ALL HANDRAIL PIPE JOINTS WITH  $\frac{1}{8}$ " REINFORCED WELDS AND DRESS SMOOTH.
2. HANDRAILS SHALL BE CONTINUOUS OVER NOT LESS THAN TWO OR MORE THAN FOUR POSTS.



REVISIONS	REVISIONS	REVISIONS	REVISIONS	REVISIONS	REVISIONS
NO.	DATE	BY	REASON	REVISION	DATE
1	8/93	MPP	DESIGN MAPS PARCELS REQUEST REV. BY CORRE. BY AFFECTED		
2	8/93	MPP	ORIGINAL SUBMISSION FOR AUTHORIZATION		
3	8/93	MPP	ADDED DETAIL		
4	8/93	MPP	REMOVED NOTES		
5	8/93	MPP	REVISED NOTES		
6	8/93	MPP	REVISED CALLOUT		

UTAH DEPARTMENT OF TRANSPORTATION	Centennial Engineering Inc.	Salt Lake City, Utah
SR-91 BRIGHAM CITY TO MANTUA	MANTUA INTERCHANGE	R-276 MSE WALL NO.5 DETAILS
PROJECT NUMBER	NH-0091(2)4	
APPROVED	DATE	APPROVED
DESIGN	8/92	DESIGN
DRAWN	8/92	DRAWN
CHECK	8/92	CHECK
QUANT.	8/92	QUANT.
BY	8/92	BY
DATE	8/92	DATE
REVIEW	8/92	REVIEW
DATE	8/92	DATE