

WALL R351-1

MAY 08 1998

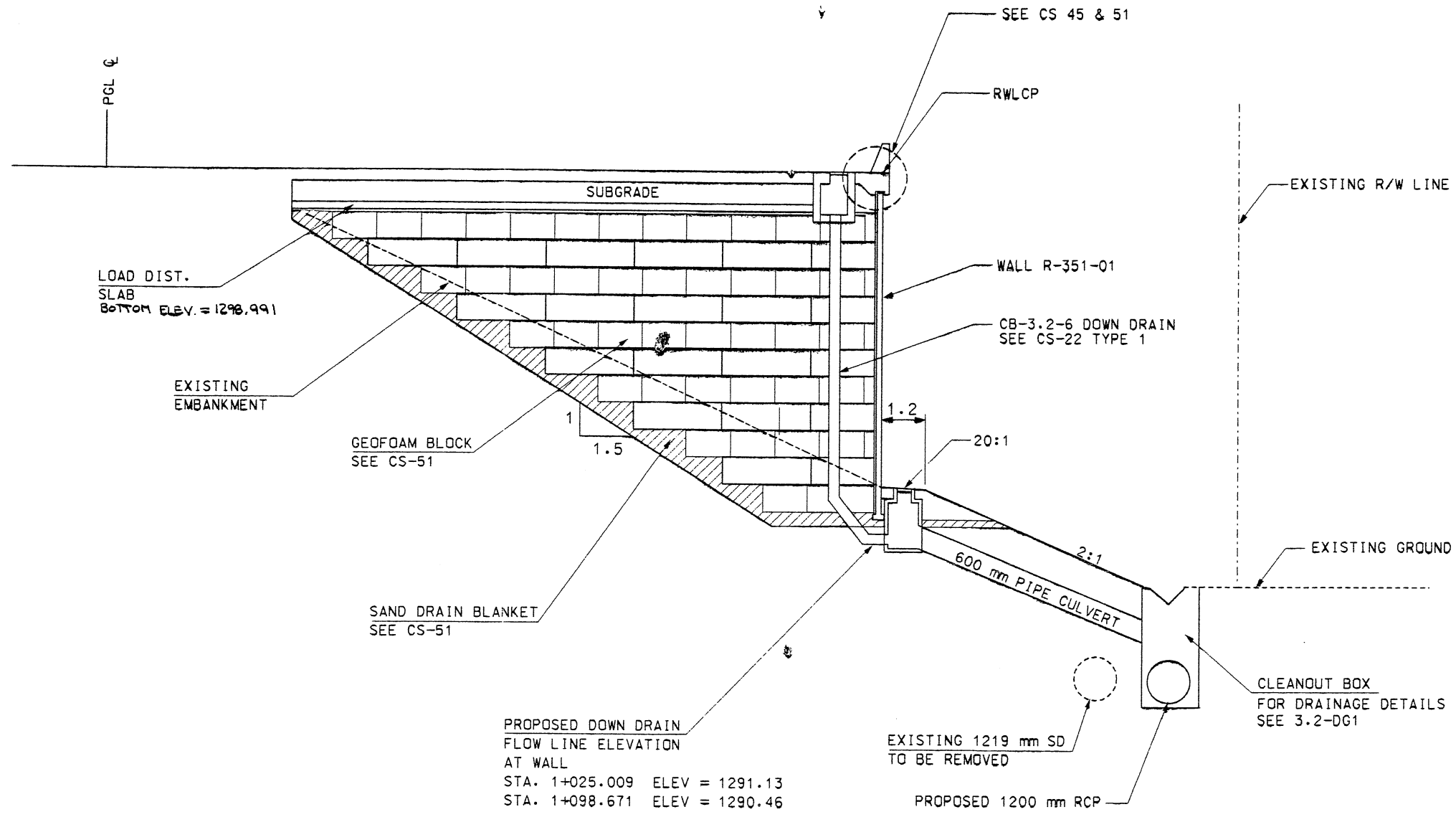
RELEASED FOR CONSTRUCTION

APPROVED FOR CONSTRUCTION		NO.	DATE	DESCRIPTION
APPROVED FOR TRANSPORTATION		Δ	12/05/97	RELEASE FOR GEOFOAM WALL ONLY
SITUATION & LAYOUT		Δ	05/07/98	RELEASE NORTH END OF WALL FOR CONSTRUCTION
I-15 CORRIDOR RECONSTRUCTION	SVERDRUP/DE LEUW			
SECTION 3.2	DESIGN JFA	12/05/97	CHECK KS	12/05/97
PROJECT NUMBER #SP-15-7(135)296	PROJECT DESIGN ENGINEER	MARVIN COOK	DRAWN F.J.G	12/08/97
SALT LAKE COUNTY	SECTION MANAGER	KEITH SABOL	CHECK KS	12/08/97
DWG. NO. 3.2-R351-1.1	QUANT.		CHECK	
SHT. 1 OF 2				3212413

GEOFOAM WALL DETAILS
WALL R-351-1

NOTES:

- 1) FOR GEOFOAM DETAILS SEE STANDARD CORRIDOR PLANS CS-43 THRU CS-51.
- 2) TYPICAL SECTION AND SITUATION LAYOUT ARE FOR WALL AND DOWNDRAIN CONSTRUCTION ONLY. FOR ALL OTHER STORMDRAIN INFORMATION SEE DRAINAGE SHEETS 3.2-DG1



PROPOSED DOWN DRAIN
FLOW LINE ELEVATION
AT WALL
STA. 1+025.009 ELEV = 1291.13
STA. 1+098.671 ELEV = 1290.46

WASATCH CONSTRUCTORS
DEC 09 1997
RELEASED FOR CONSTRUCTION

Active File Levels: [1-21, 29-60, 62-64]
First Reference Filename: c:\dgn\ref\roadborder.dgn
First Reference File Levels: [1-20, 22-24, 30, 32, 34, 35, 37-62, 64]
Second Reference Filename: c:\dgn\ref\06_typical_rw26.dgn
Second Reference File Levels: [1-64]
Third Reference Filename: c:\dgn\ref\06_typical_03.dgn
Third Reference File Levels: [1-64]

Scale: 75:947(141.000000)
Rord:\1010.000000
Pen Tablet:\5\N\LOT1\0CE9800.pen
Queue:\CVI\SP1\0ce9800\vellum

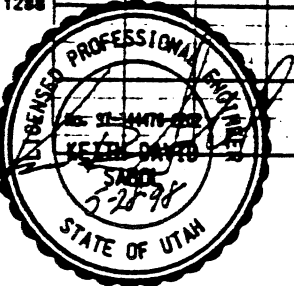
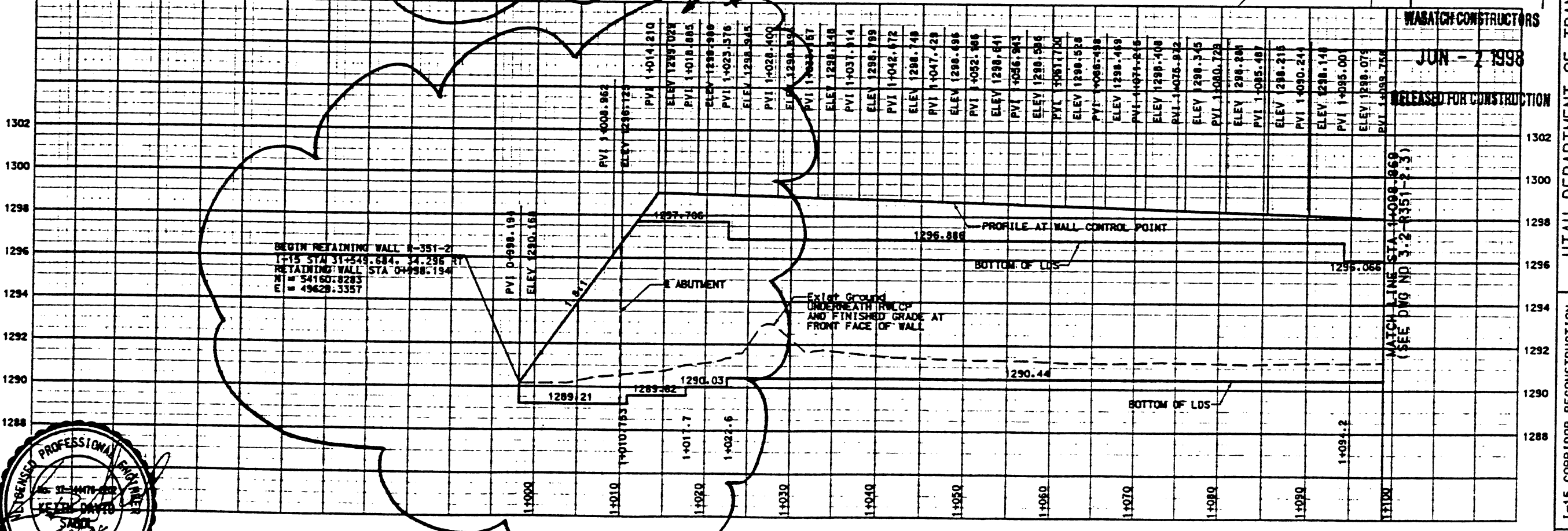
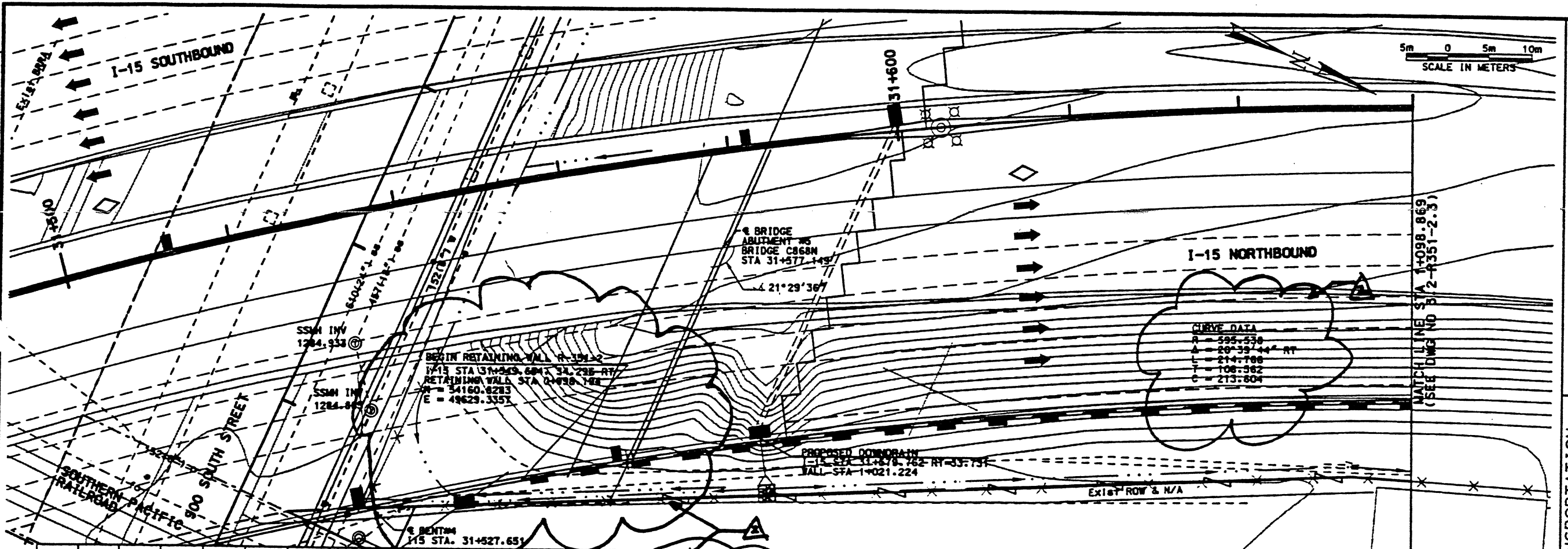
Filename: c:\dgn\15_cadd\06_97\sheet - files\walls\06_typical_rwl.dgn
Date: 04-DEC-1997 Time: 15:24
User name: gpc-clafj



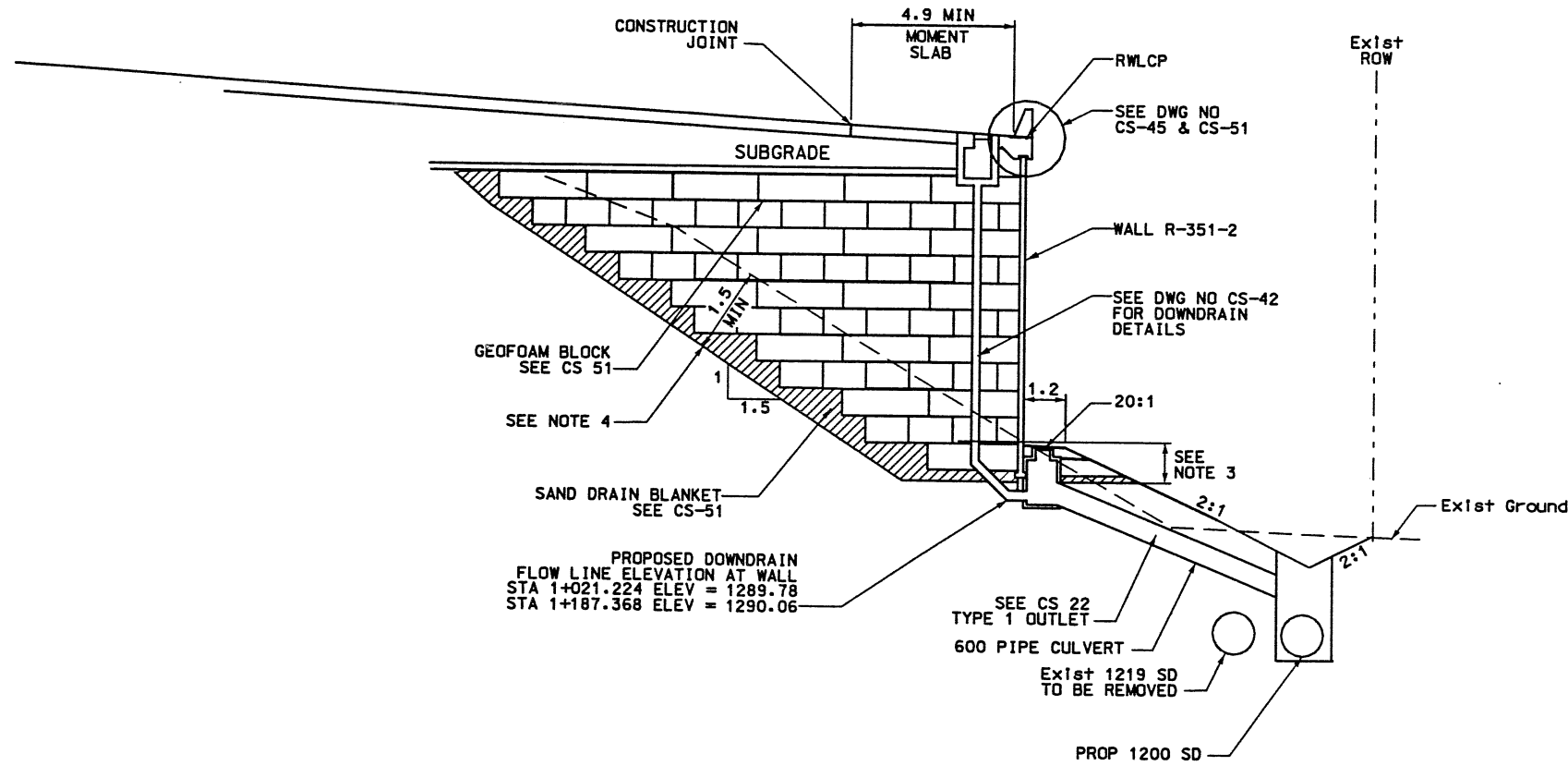
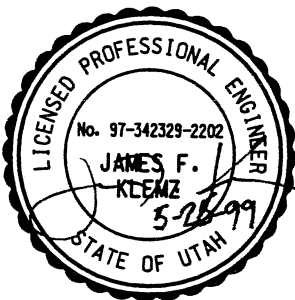
APPROVED FOR CONSTRUCTION		DESCRIPTION	
NO.	DATE	NO.	DATE
A	12/5/97	A	12/5/97
RELEASE FOR STAGE 1 FOAM WALL ONLY			
UTAH DEPARTMENT OF TRANSPORTATION		SVERDRUP/DE LEUW	
I-15 CORRIDOR RECONSTRUCTION	TYPICAL SECTION	DESIGN MGC	CHECK KS
	SECTION 3.2	DRAW FJG	CHECK KS
		QUANT.	CHECK
		MARVIN COOK	12/5/97
		PROJECT DESIGN ENGINEER	DATE
		KEITH SABOL	12/5/97
		SECTION MANAGER	DATE
		*SP-15-7(135)296	3212413
SALT LAKE COUNTY		DWG. NO.	
3.2-R351-1.2		SHT. 2 OF 2	

Date: 22-MAY-98 Time: 09:58 User: ramesh@corbettj

File name: c:\p1\15_cood\05_97\sheet_1\sheet_1\sheet_1\05_wal_02.dgn



APPROVED FOR CONSTRUCTION		NO.		DATE		DESCRIPTION	
		11/21/97		11/21/97		RELEASE FOR STAGE 1 (GEOPAM WALL ONLY)	
		06/28/98		06/28/98		RELEASE ABUTMENT FOR CONSTRUCTION	
UTAH DEPARTMENT OF TRANSPORTATION				3212403			
I-15 CORRIDOR RECONSTRUCTION				SECTION 3-2			
WALL 3.2-R351 SITUATION LAYOUT				PROJECT NUMBER #SP-15-7(135)296			
SALT LAKE COUNTY				DWG. NO. 3.2-R351-2.1			
SHEET 1 OF 3				SVERDRUP/DE LEUW			
DESIGNER: MARVIN COOK		CHECKER: KS		DATE: 11/21/97		QUANTITY:	
PROJECT ENGINEER: KEITH SABOL		CHECKER: KS		DATE: 11/21/97			
SECTION MANAGER:		CHECKER:					



GEOFOAM WALL DETAILS
NTS
WALL R-351-2

NOTES:

- 1) FOR GEOFOAM DETAILS SEE STANDARD CORRIDOR PLANS CS-43 THRU CS-52.
- 2) TYPICAL SECTION AND SITUATION LAYOUT ARE FOR WALL AND DOWNDRAIN CONSTRUCTION ONLY. FOR ALL OTHER STORMDRAIN INFORMATION SEE DRAINAGE DWG NO 3.2-DG1 AND 3.2-DG2.
- 3) EXCAVATE EXISTING GROUND AT RWLCP 1.0M MIN MEASURED VERTICALLY.
- 4) EXCAVATE EXISTING GROUND ON BACKSLOPE 1.5M MIN MEASURED PERPENDICULAR TO BACKSLOPE.
- 5) SEE DWG NO 3.2-GD1B AND GD2B FOR LIMITS OF GEOFOAM.

WASATCH CONSTRUCTORS
JUN 03 1999
RELEASED FOR CONSTRUCTION

APPROVED FOR CONSTRUCTION		DESCRIPTION	
NO.	DATE	11/21/97 RELEASE FOR STAGE 1 GEOFOAM WALL ONLY	
Δ	5/25/99	FINAL SUBMITTAL COMMENTS	
UTAH DEPARTMENT OF TRANSPORTATION		SVERDRUP/DE LEUW	
I-15 CORRIDOR RECONSTRUCTION		TYPICAL SECTION	
SECTION 3.2		SECTION 3.2	
PROJECT NUMBER #SP-15-7(135)296		DESIGN JFA 11/19/97 CHECK KS 11/19/97	
SALT LAKE COUNTY		DRAWN FJG 11/19/97 CHECK KS 11/19/97	
DWG. NO. 3.2-R351-2.3		QUANT.	
SHT. 3 OF 3		3212403	