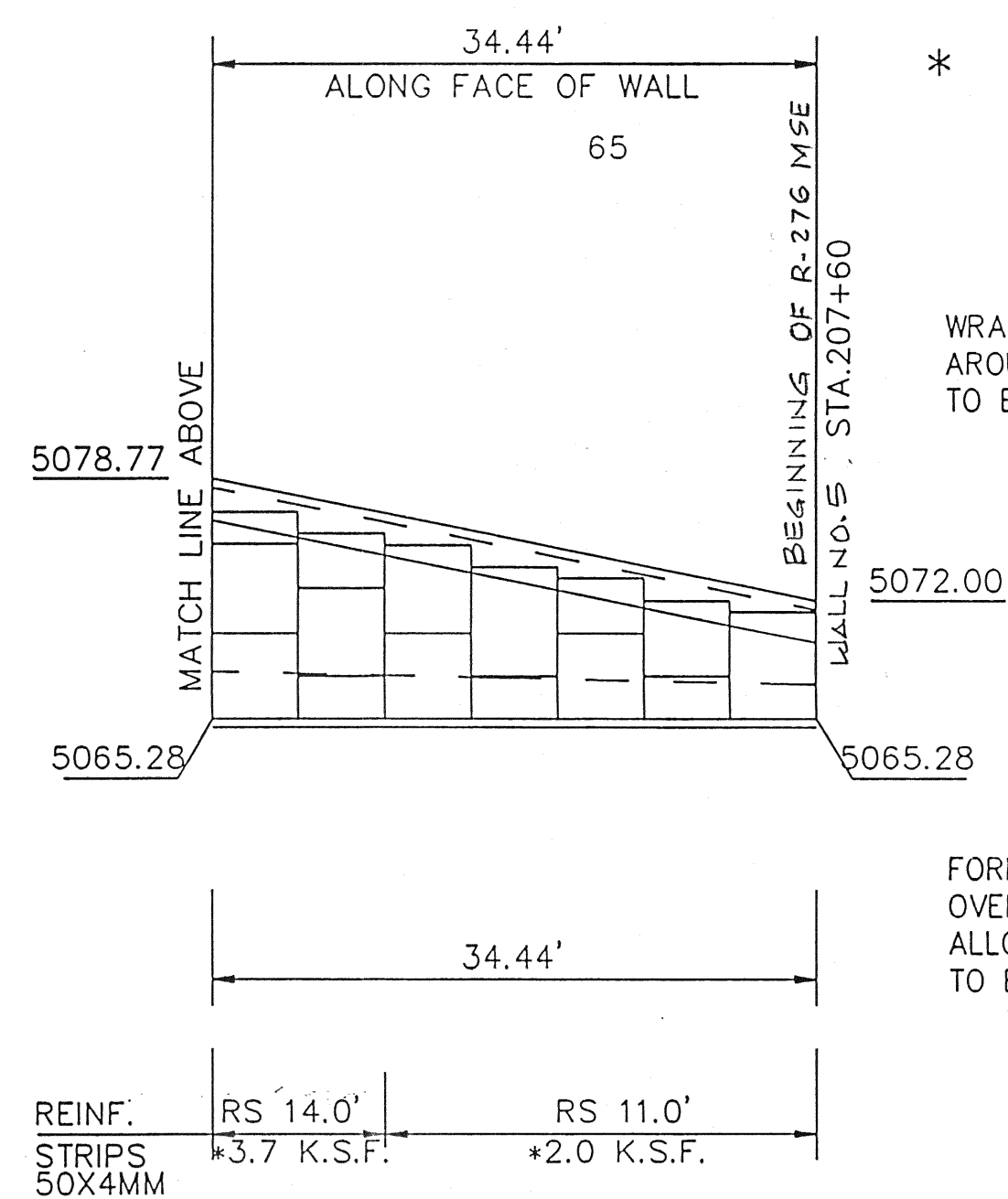
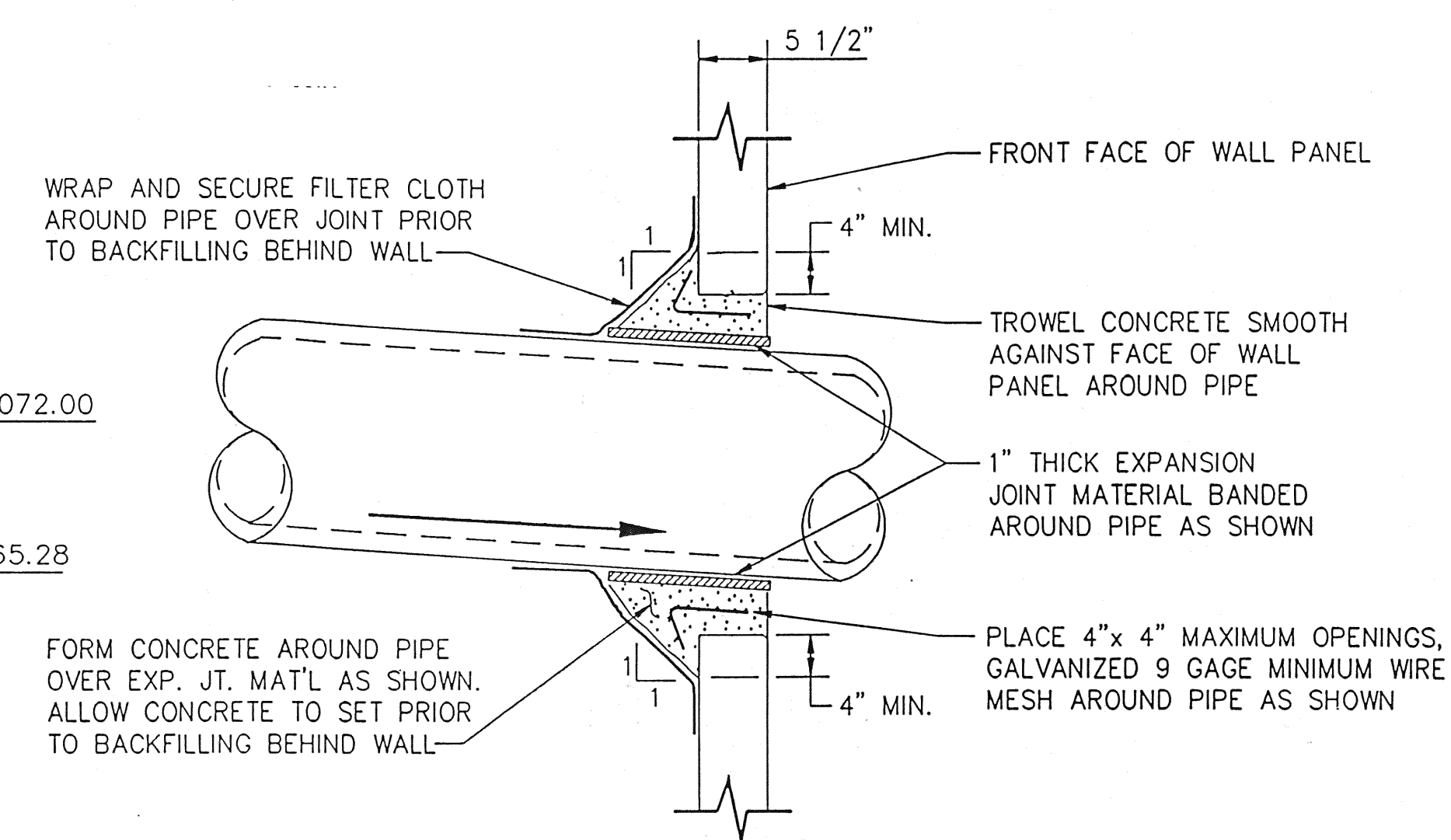


ELEVATION - FRONT FACE R-276 MSE WALL NO.5

SCALE: 1" = 10'

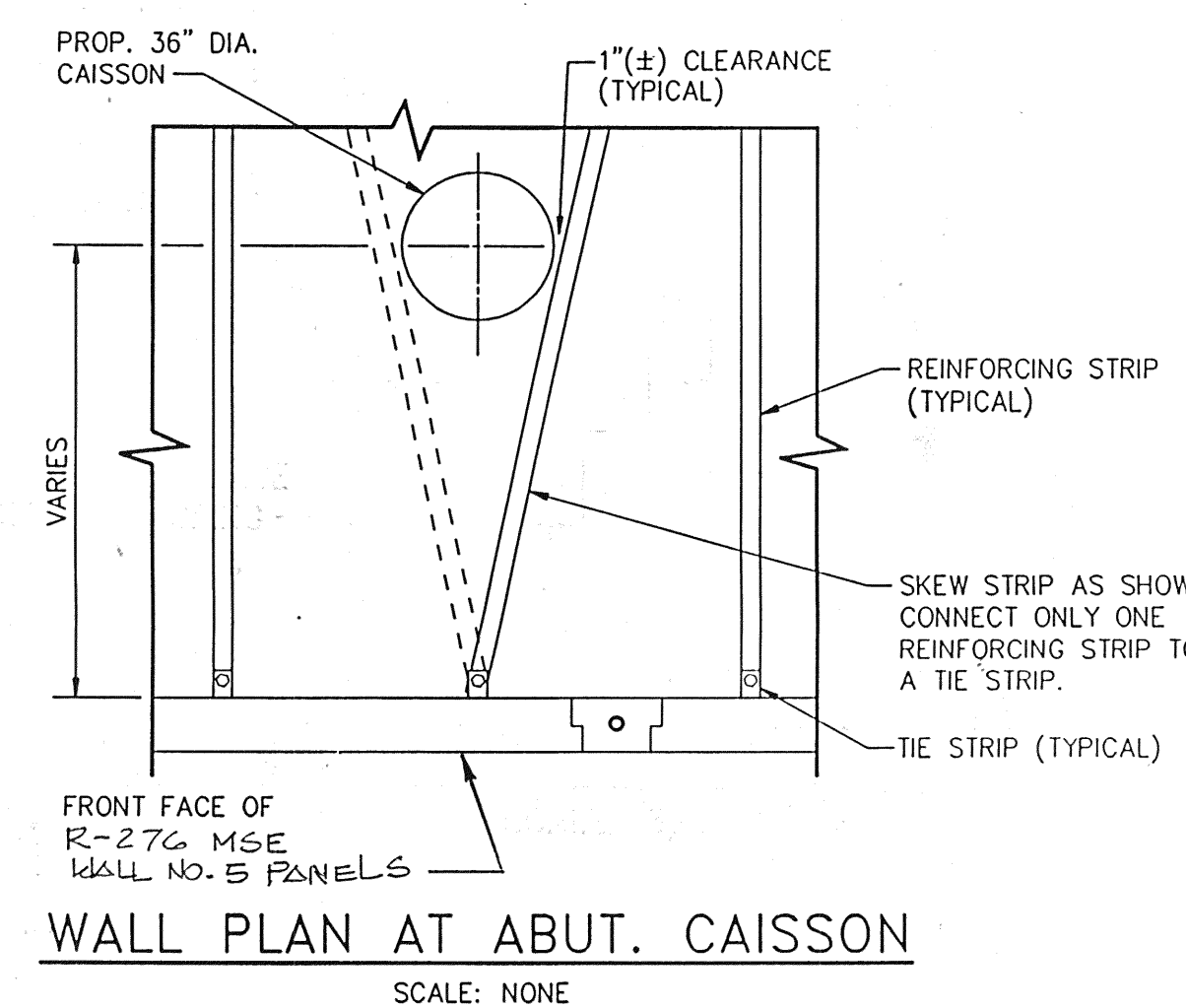


\* INDICATES MAXIMUM APPLIED BEARING PRESSURE.



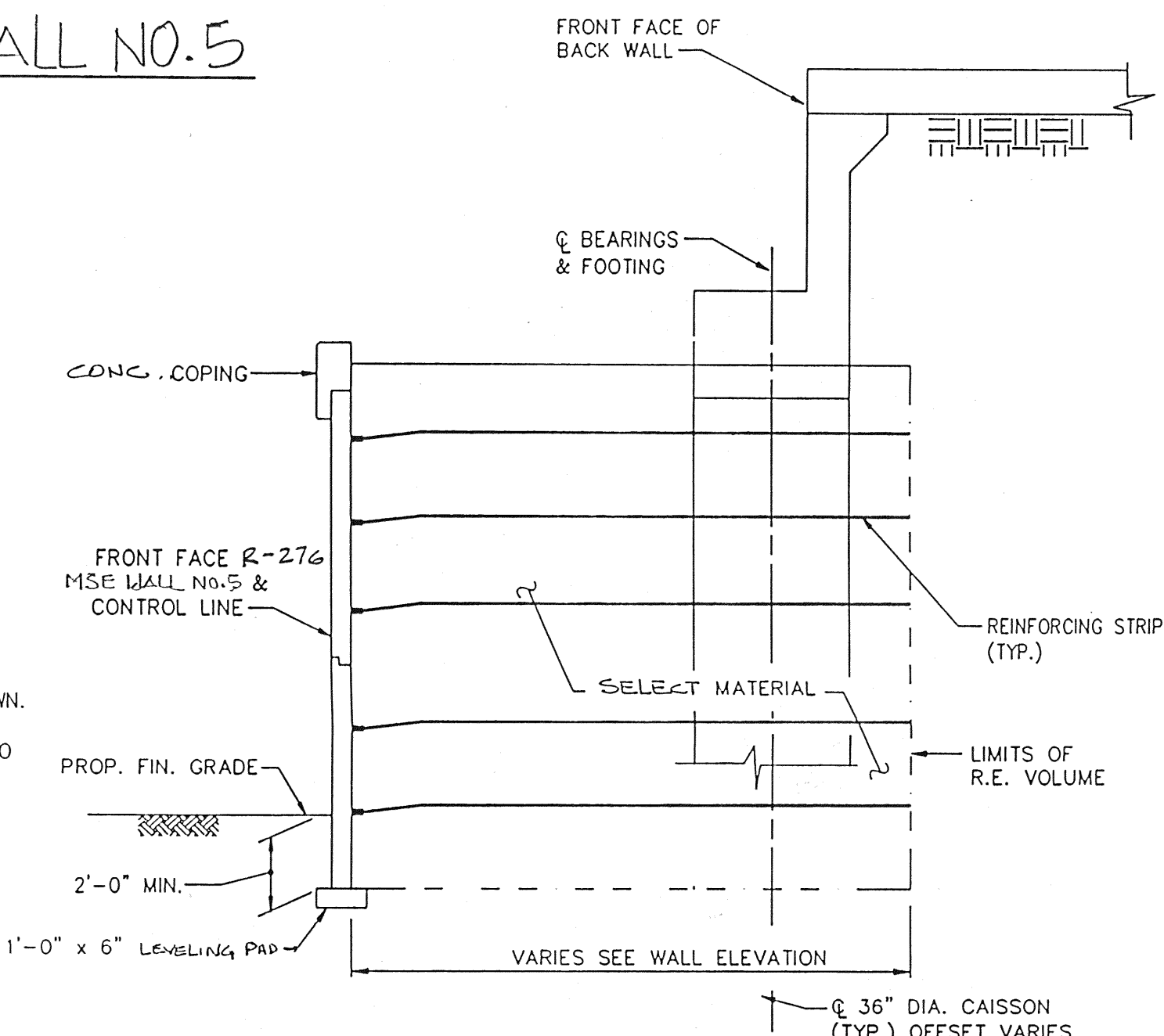
PIPE PENETRATION AT WALL FACE DETAIL

(TREATMENT FOR CONCRETE PIPE SHOWN, CORRUGATED STEEL PIPE SIMILAR)  
SCALE: 1" = 1'-0"



WALL PLAN AT ABUT. CAISSON

SCALE: NONE



TYPICAL SECTION THRU ABUTMENT WALL

NOT TO SCALE

This drawing contains information proprietary to The Reinforced Earth Company, and is being furnished for the use of UTAH DEPT. OF TRANSPORTATION only in connection with this project, and the information contained is not to be transmitted to any other organization unless specifically authorized in writing by The Reinforced Earth Company. The Reinforced Earth Company is exclusive licensee in the United States under patents issued to Henri Vidal, and the furnishing of this drawing does not constitute an expressed or implied license under the Vidal patents.

The design contained on these drawings is based on information provided by the owner. On the basis of this information, The Reinforced Earth Company has designed, and is responsible for the internal stability of the structure only. External stability, including foundation and slope stability, is the responsibility of the owner.

**The Reinforced Earth Company**  
 8814 Westwood Center Drive  
 Suite 1100  
 Vienna, Virginia 22182  
 (703) 821-1175

DESIGNED BY: AO  
 PROJECT ENGR: KT  
 CHECKED BY:  
 ENG. MANAGER

"REINFORCED EARTH" is the registered trademark of The Reinforced Earth Company.

PROJECT NAME	SR-91	DATE	5/5/93
LOCATION	SR-91 BRIGHAM CITY TO MANTUA	CONTRACT NO.	4784
OWNER	UTAH DEPARTMENT OF TRANSPORTATION	DRAWING NO.	6 OF 8
DRAWING COVERS	R-276 MSE WALL NO. 5	SCALE	AS SHOWN