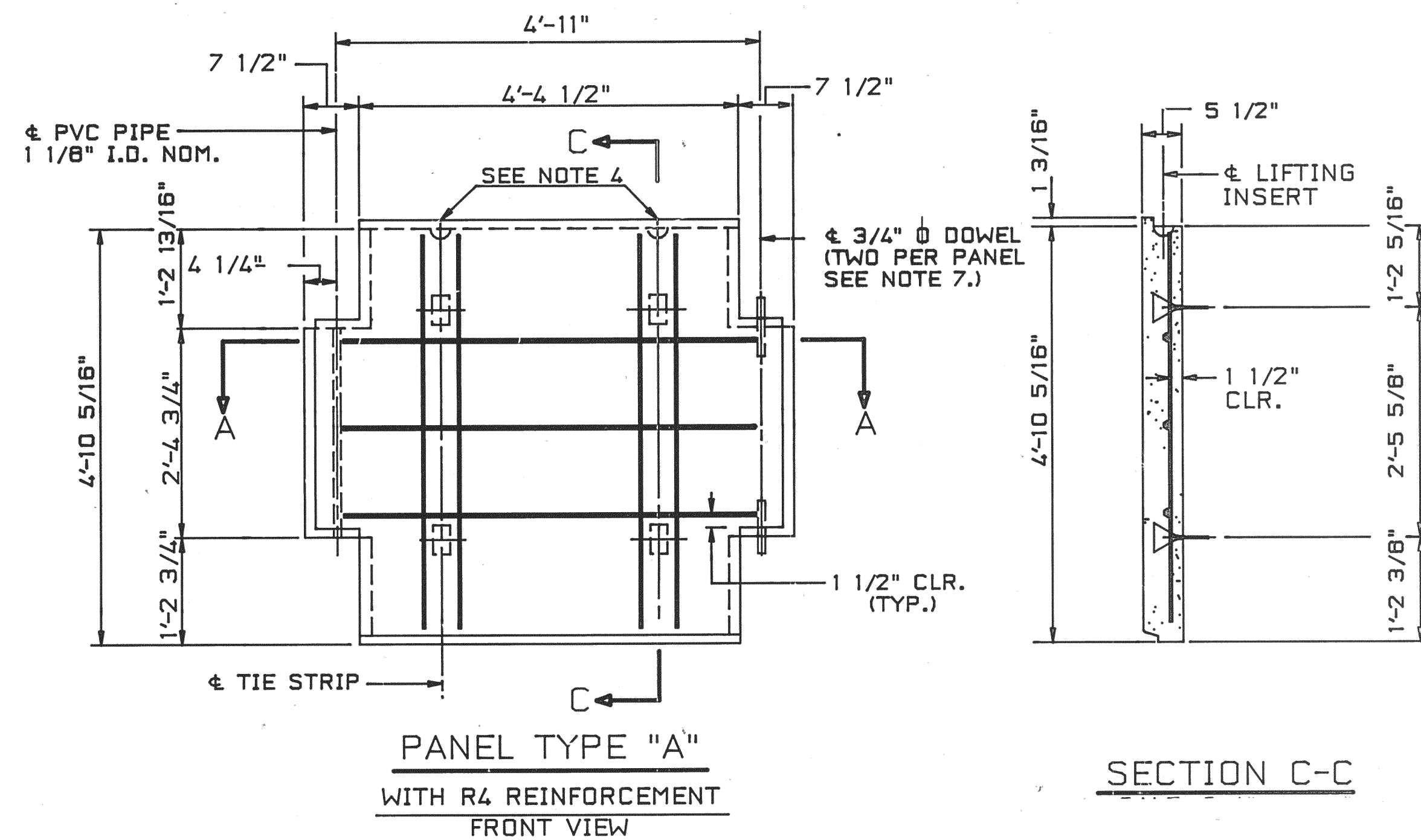


TYPICAL PANEL LAYOUT  
PARTIAL ELEVATION - FRONT FACE



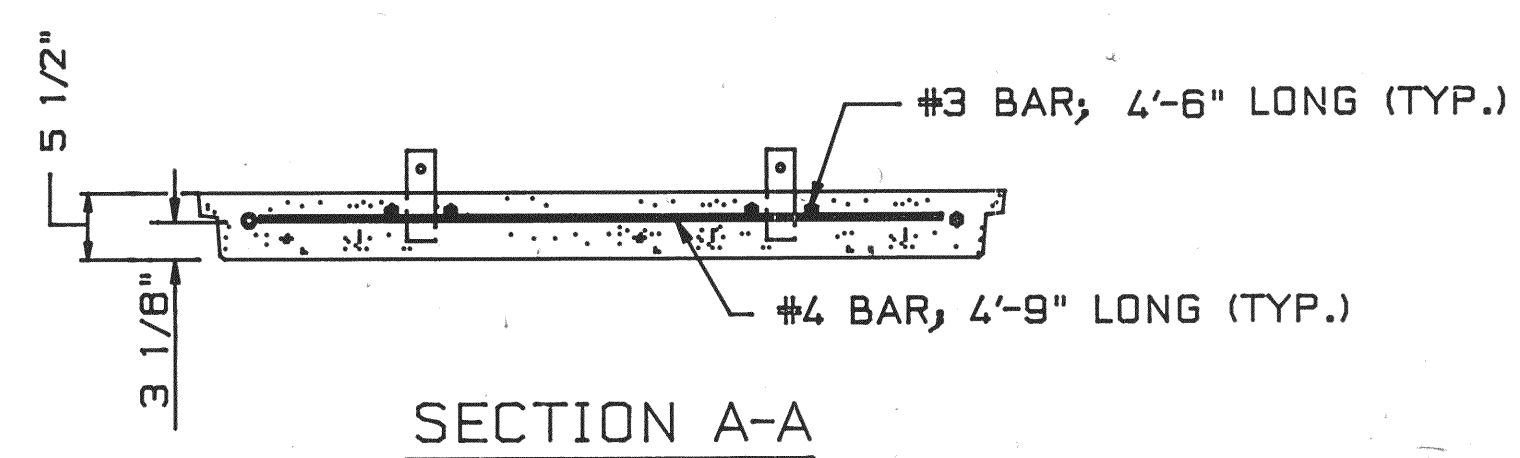
PANEL TYPE "A"  
WITH R4 REINFORCEMENT  
FRONT VIEW

SECTION C-C

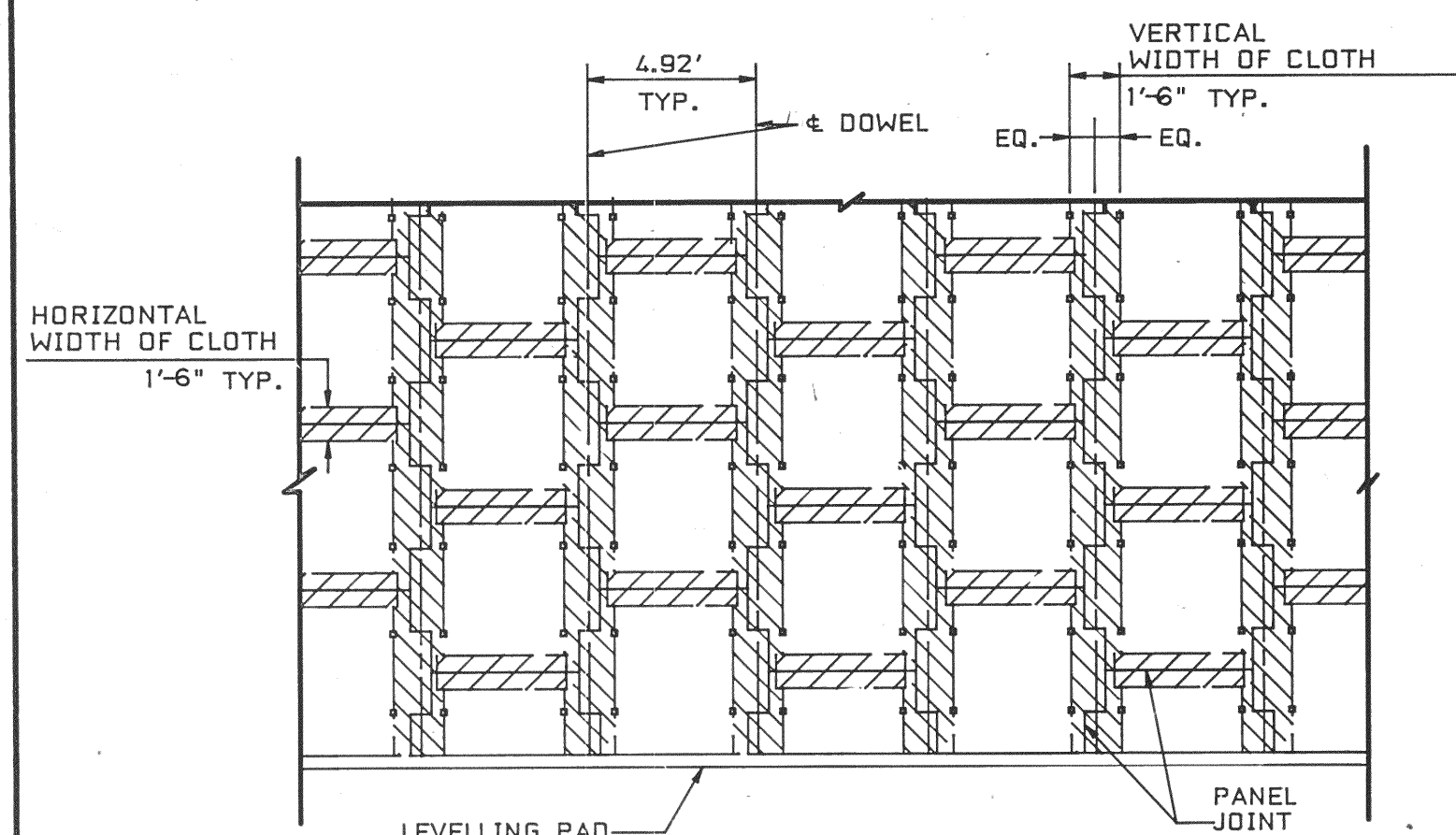
PANEL THICKNESS	REINFORCEMENT DESIGNATION	PANEL REINFORCEMENT $A_s$ (IN <sup>2</sup> )	MAXIMUM ALLOWABLE HORIZONTAL STRESS AT FACING (KSF)
5 1/2"	R4	0.44 VERTICAL 0.56 HORIZONTAL	1.01
	R6	0.66 VERTICAL 0.78 HORIZONTAL	1.33
	R7	1.18 VERTICAL 1.77 HORIZONTAL	2.58

NOTES:

1. REINFORCING STEEL TO BE A615 GRADE 60, EPOXY COATED
2. 3/8" X 3/8" CHAMFER SHALL BE PROVIDED ON ALL EXPOSED EDGES (FRONT FACE ONLY).
3. ALL PANEL TYPES AND OTHER RELATED ELEMENTS WILL BE DETAILED ON SHOP DRAWINGS.
4. ALL PANELS SHALL HAVE TWO LIFTING INSERTS OF ONE TON CAPACITY EACH.
5. PANEL DESIGN THICKNESS IS 5 1/2". THICKNESS OF CONCRETE MUST INCREASE TO ACCOMMODATE ANY ARCHITECTURAL SURFACE FINISH THAT MAY BE SPECIFIED.
6. ACTUAL PANEL REINFORCEMENT FOR ALL PANEL TYPES ON THIS PROJECT IS DESIGNATED ABOVE. R4 ILLUSTRATED FOR INFORMATION ONLY.
7. EACH 3/4"  $\phi$  DOWEL SHALL HAVE MINIMUM LENGTH OF 10". DOWELS MAY BE GALVANIZED STEEL OR PVC ROD. A SINGLE FULL LENGTH DOWEL MAY BE USED AT THE DISCRETION OF THE MANUFACTURER.

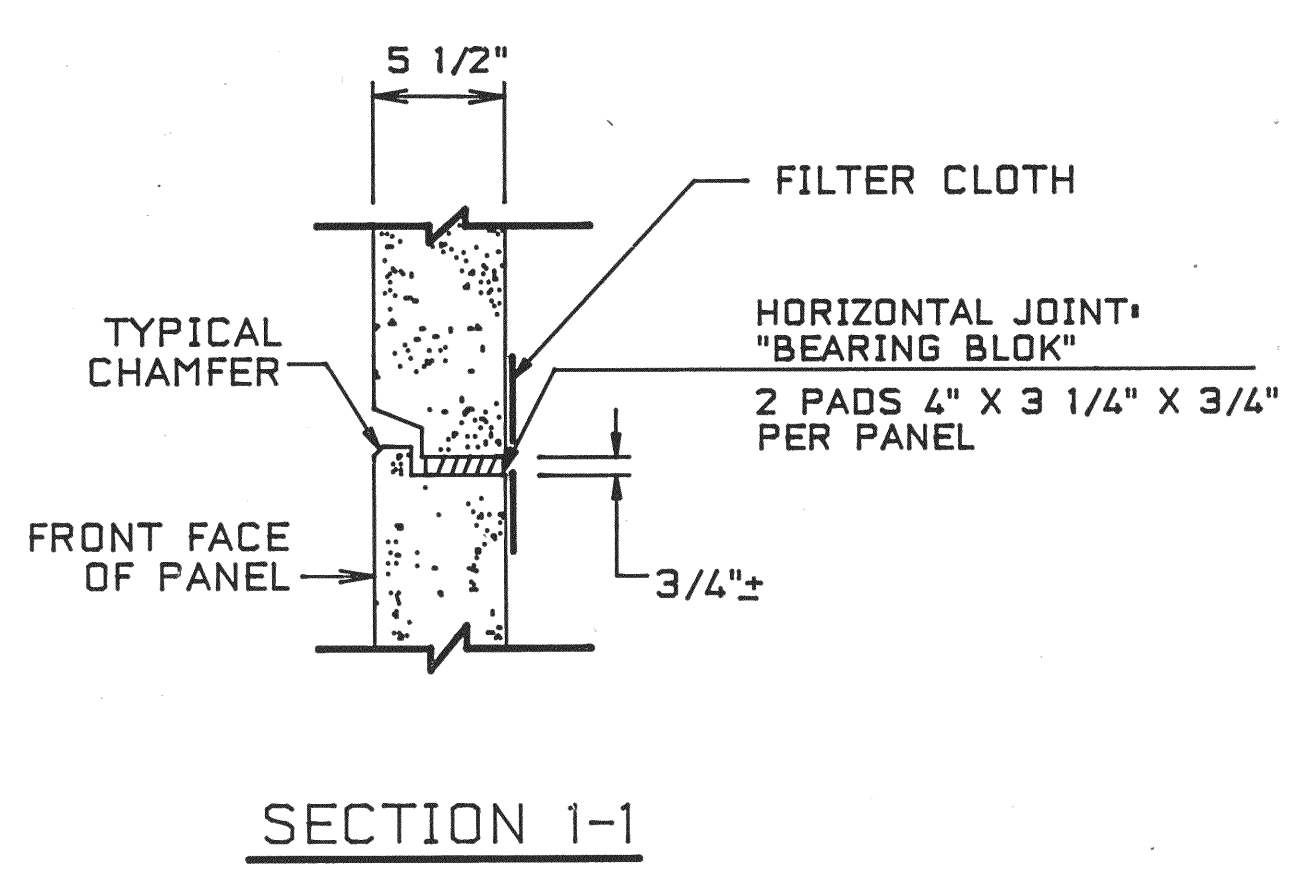


SECTION A-A

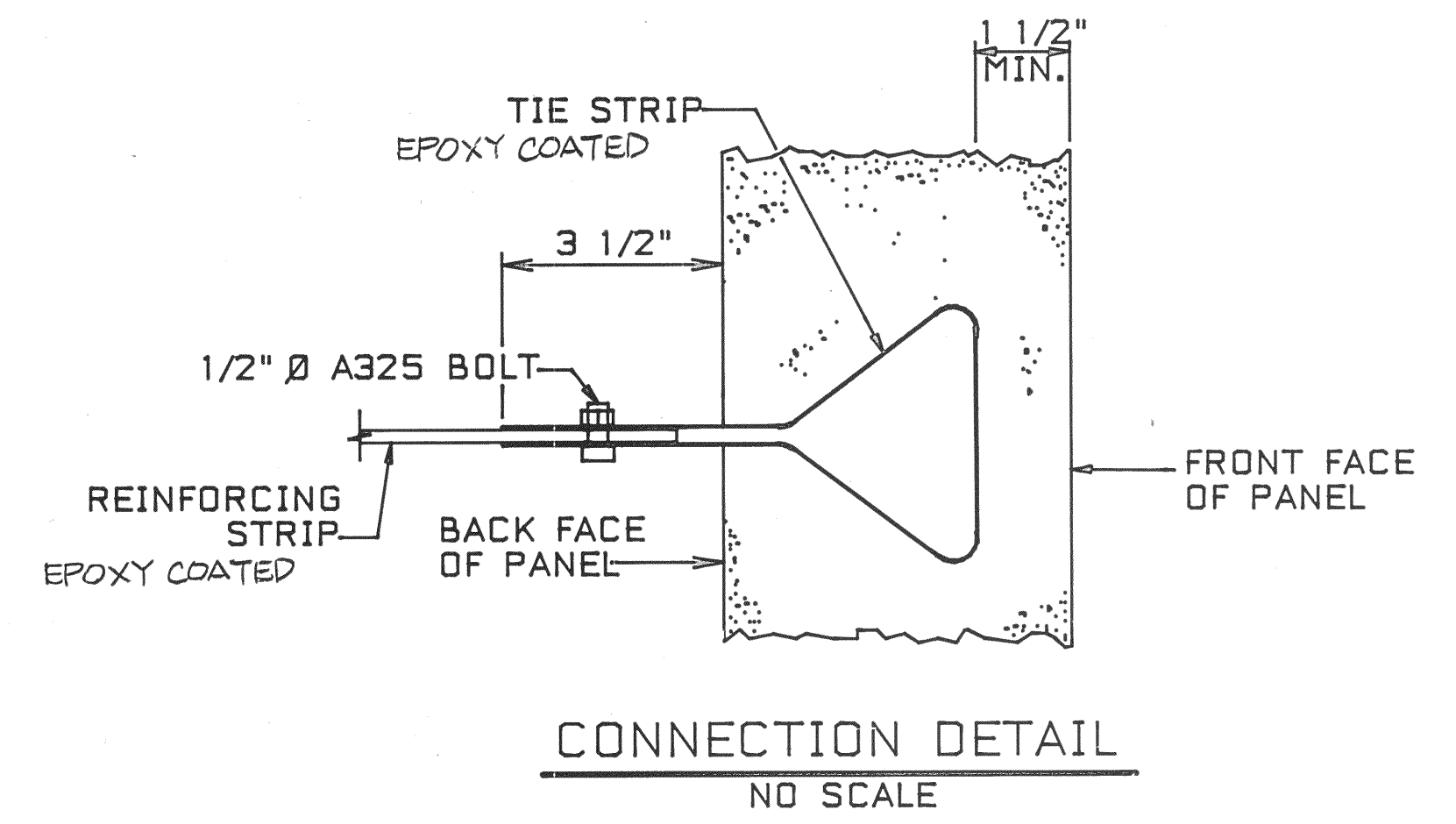


FILTER CLOTH DETAIL  
PARTIAL ELEVATION - BACK FACE

NOTE:  
STRIPS OF FILTER CLOTH SHALL BE PLACED ON BACK FACE OF PANEL OVER PANEL JOINTS. FILTER CLOTH SHALL BE ADHERED TO BACK FACE OF PANELS USING AN ADHESIVE COMPOUND SUPPLIED BY THE REINFORCED EARTH COMPANY.



SECTION 1-1



CONNECTION DETAIL  
NO SCALE

Revised Wall Plans 3/1/89  
"REINFORCED EARTH" IS THE REGISTERED TRADEMARK OF THE REINFORCED EARTH COMPANY.

This drawing contains information proprietary to The Reinforced Earth Company, and is being furnished for the use of UTAH P.O.T. only in connection with this project, and the information contained herein is not to be transmitted to any other organization unless specifically authorized in writing by The Reinforced Earth Company. The Reinforced Earth Company is exclusive licensee in the United States under patents issued to Henri Vidal, and the furnishing of this drawing does not constitute an express or implied license under the Vidal patents.

Drq. No. R-181, Proj. No. F-068(3)

<b>The Reinforced Earth Company</b> <small>Rosslyn Center, 1700 North Moore Street, Arlington, Virginia 22209 (703) 527-3434</small>	
Structure	REINFORCED EARTH WALL
Location	I - 215 TO BIG COTTON WOOD CANYON
Owner	UTAH P.O.T.
DESIGNED BY: B.Y	DATE
PROJECT ENGR: d.p.m	10.6.88
CHECKED BY: d.p.m	6 of 6
REV. NO.	DATE DESCRIPTION
	STD PANEL DETAILS
	SCALE AS NOTED