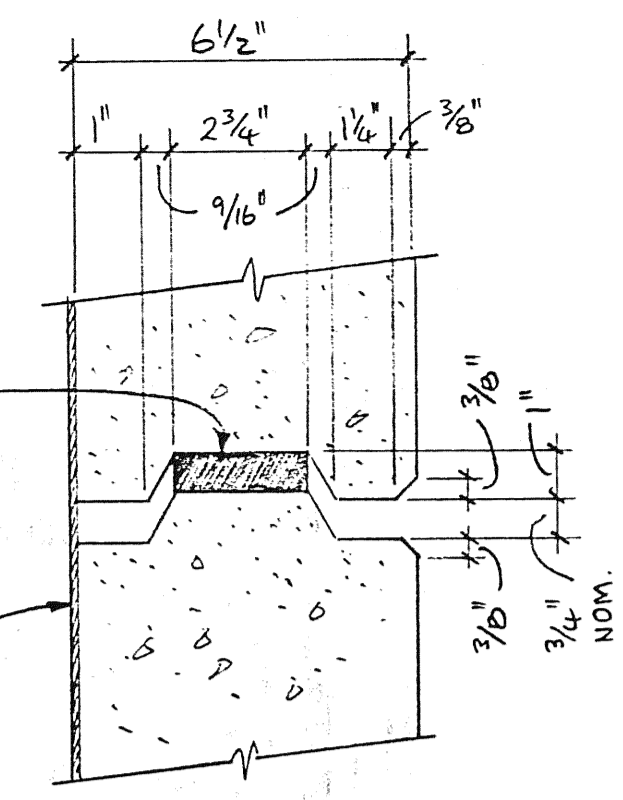


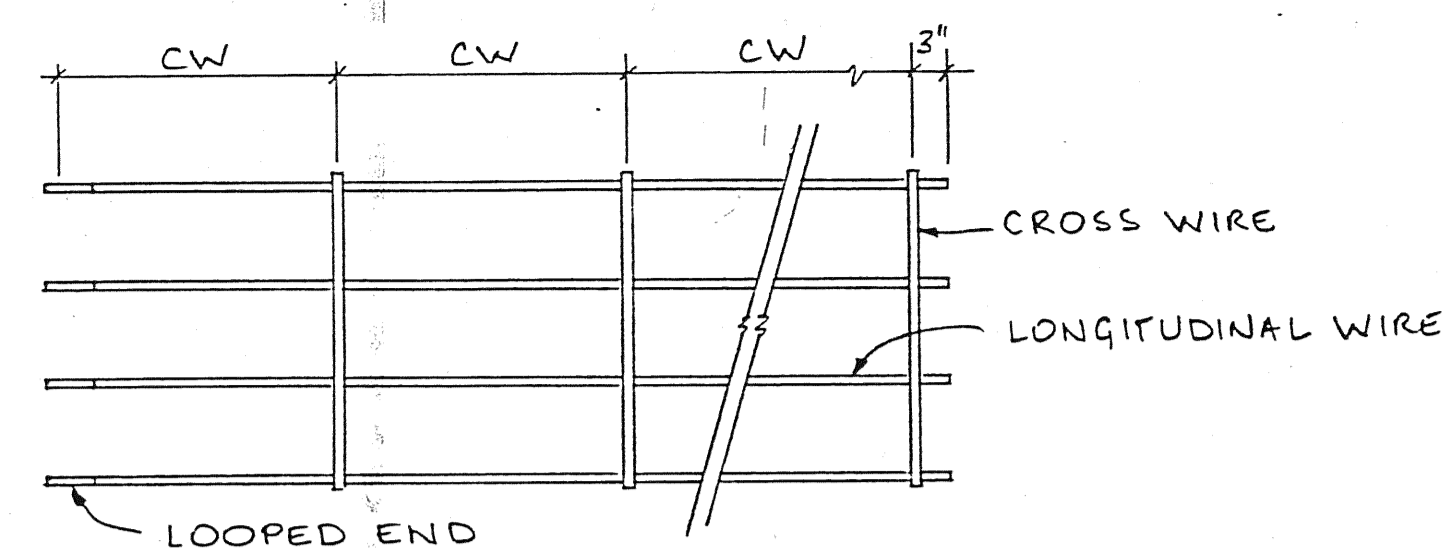
TYPE A PANEL

2 PIECES OF 3/4" x 2 3/4" x 6" POLYETHYLENE, OR RESIN-BONDED CORK, TYP.

FILTER CLOTH ADHERED WITH GOODYEAR PUROBOND 5001, OR EQUIV.



JOINT DETAIL



MESH DESIGNATION 4 W20 + W11 x 1.5

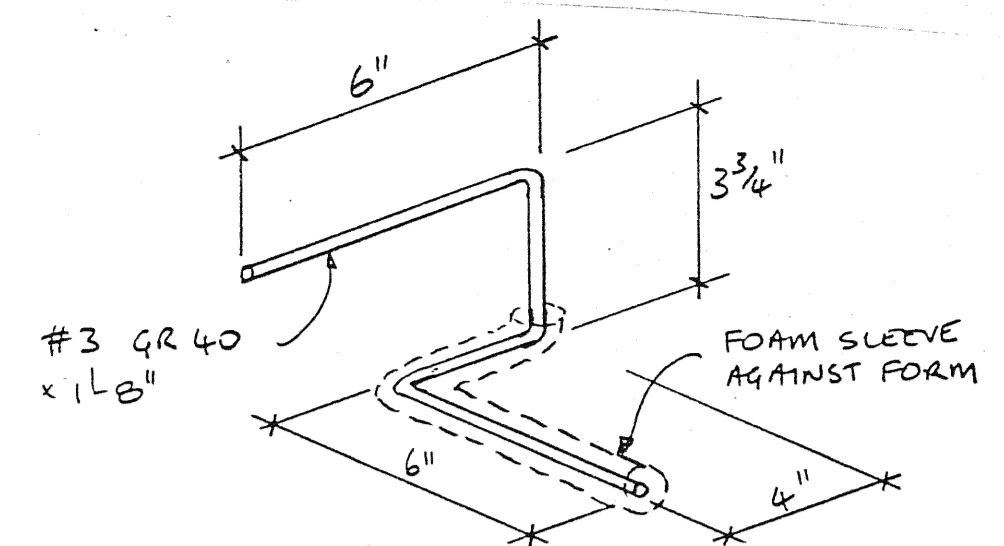
NO. OF LONG. WIRES

SIZE OF LONG. WIRES

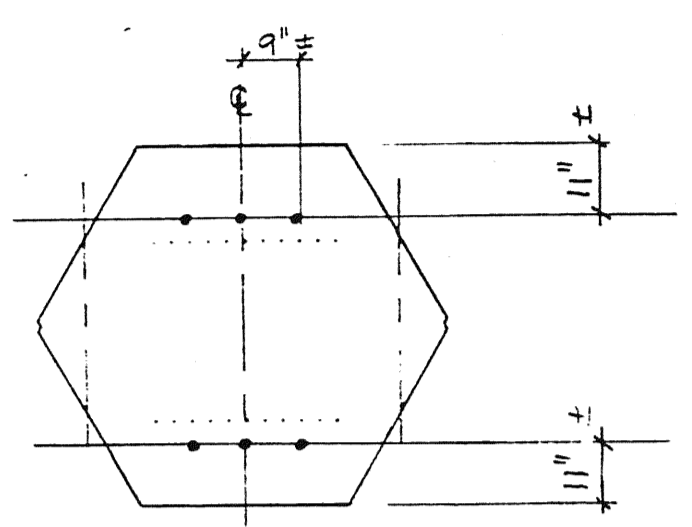
SIZE OF CROSS WIRES

SPACING (FT.) OF CROSSWIRES (CW)

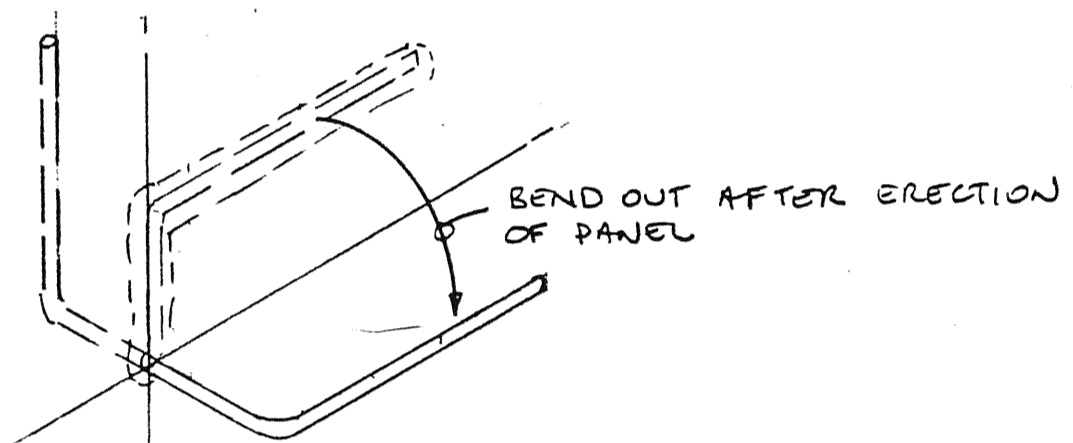
SOIL REINFORCING MESH



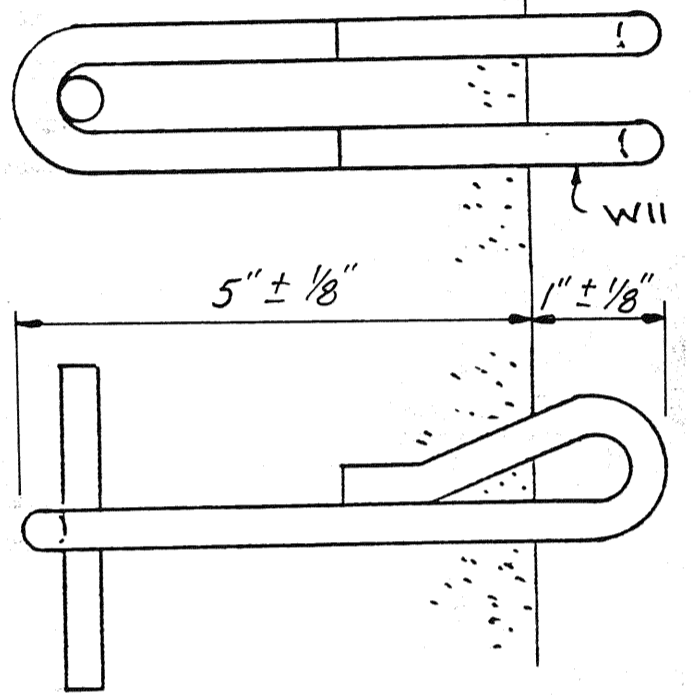
INSERT DETAIL



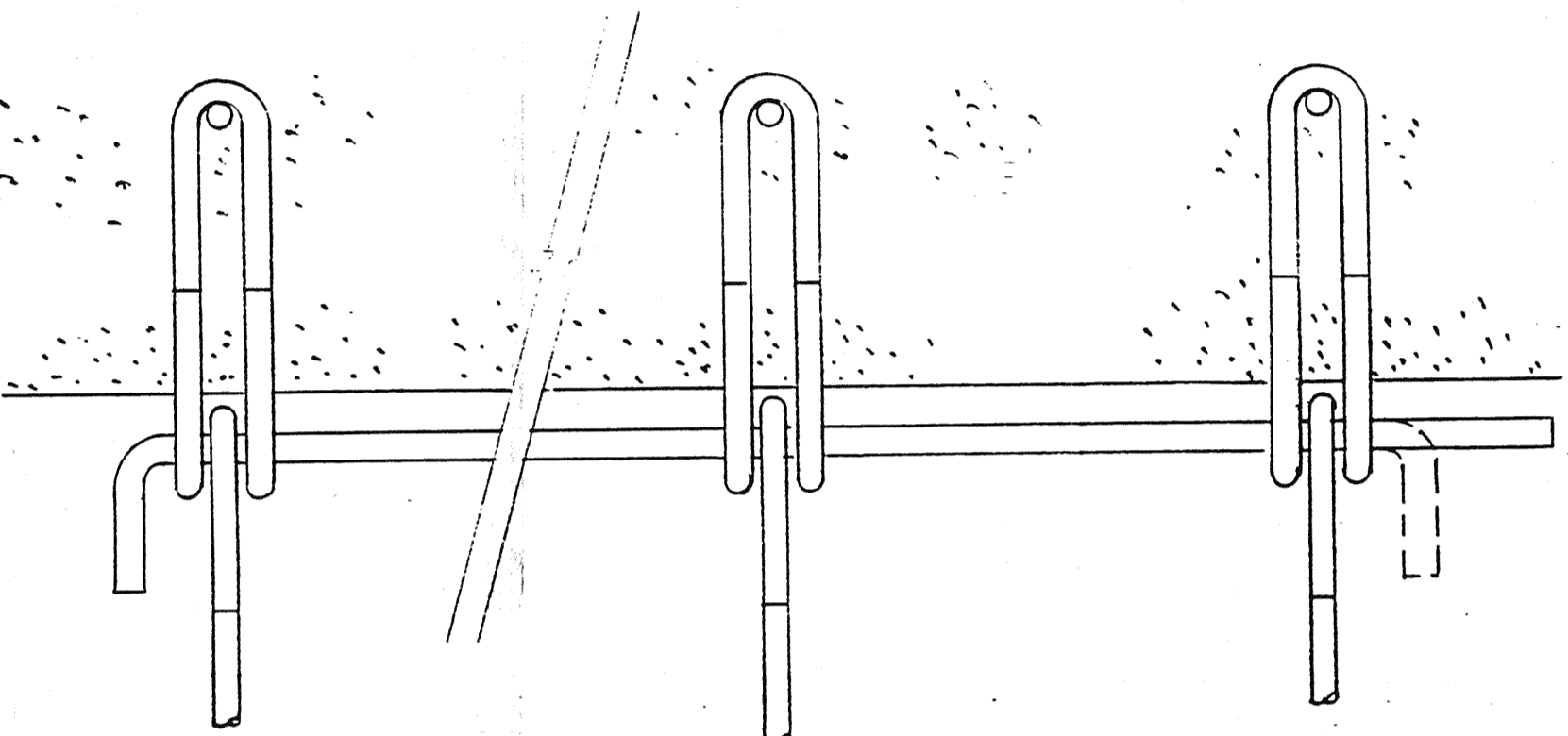
INSERT LOCATION (FRONT FACE)



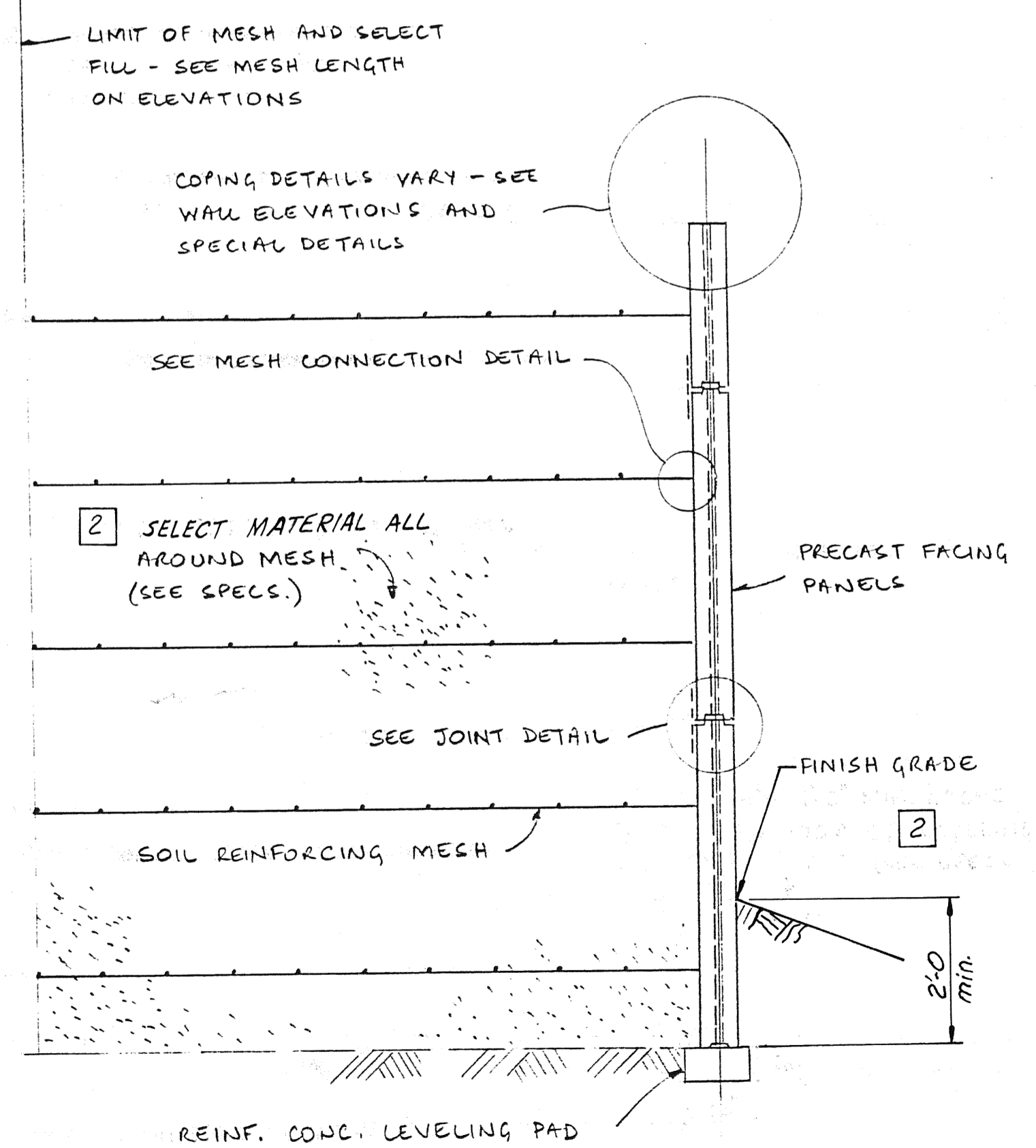
INSERT INSTALLATION



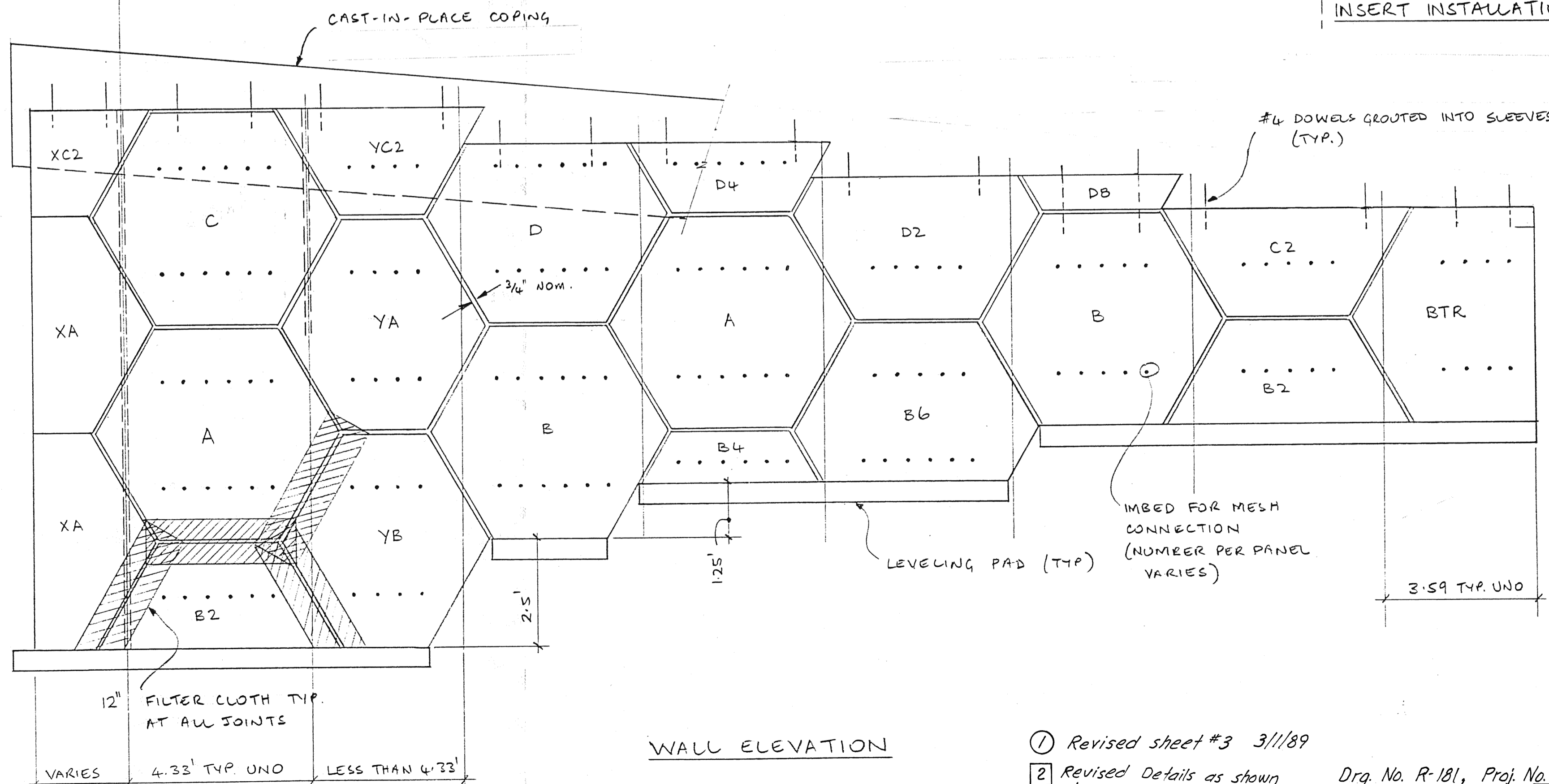
LOOP IMBED



5/8" φ ALIGNMENT PIN (TYP.)



SECTION



WALL ELEVATION

- 1 Revised sheet #3 3/1/89
- 2 Revised Details as shown 3/6/89

Drq. No. R-181, Proj. No. F-068(3)

JOHN W. PARKIN CONSULTING CIVIL AND STRUCTURAL ENGINEER

RETAINED EARTH

Revised Wall Plans

DES.	DRN.	CHK.	DATE	NO.	BY
	7/16/88 J.P.	7/20/88 J.P.	7/20/88		J.P.
					J.P.
PANEL TYPE COLLECTED 7/18/88 INSERT DETAIL ADDED 7/20/88			REVISION		
VSL CORPORATION 1077 Dill Avenue Campbell, California 95008 Telephone: 408/866-5000 Telex: 30004254					
ATLANTA, GA; CAMPBELL, CA; DALLAS-FORT WORTH, TX; DENVER, CO; HONOLULU, HI; HOUSTON, TX; KANSAS CITY, MO; LOS ANGELES, CA; LOS GATOS, CA; MINNEAPOLIS, MN; SEATTLE, WA; SPRINGFIELD, VA					
The use of these plans and specifications shall be restricted to the project and site specified. Any reuse or modification of these plans and specifications without the written consent of VSL Corporation is prohibited. VSL Corporation is not responsible for any errors or omissions in these plans and specifications.					
STANDARD DETAILS 4'-3.3' GRID UTAH DEPARTMENT OF TRANSPORTATION I-215 TO BIG COTTONWOOD CANYON RETAINED EARTH WALL					
PRINT STATUS:					
JOB NO:					
SHEET: 3 OF: 3					