

# Curb Ramps

G. Stuart Thompson

---

---

---

---

---

---

---

---

## Learning Outcome

- Evaluate diagonal curb ramp for ADAAG compliance

1-2

---

---

---

---

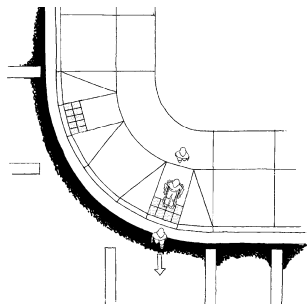
---

---

---

---

## Perpendicular Curb Ramp



1-3

---

---

---

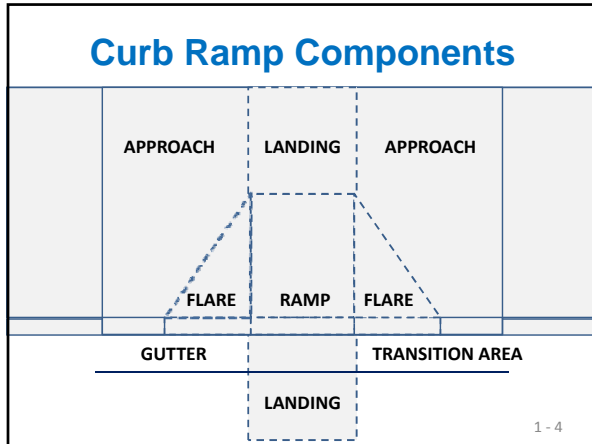
---

---

---

---

---



---

---

---

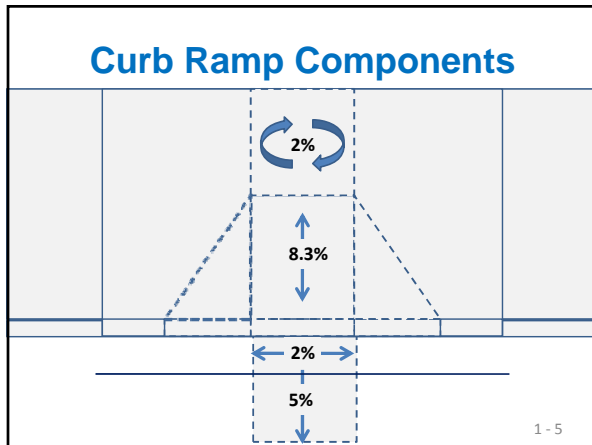
---

---

---

---

---



---

---

---

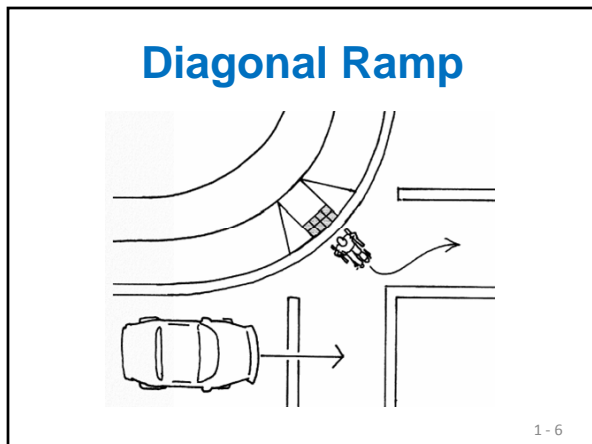
---

---

---

---

---



---

---

---

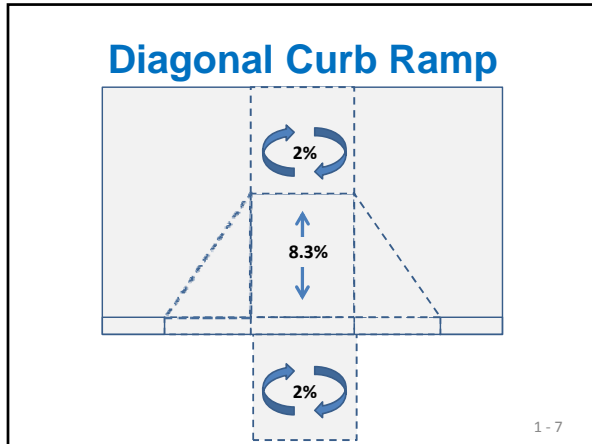
---

---

---

---

---



---

---

---

---

---

---

---

---

- ### Diagonal Ramp - Metrics
1. Travel way wide enough for wheel chair
  2. No cross slope greater than 2%
  3. Ramp grade not greater than 8.33%
  4. No lip in transition area
  5. Lower landing area clear of travel lane
  6. Road crown no greater than 5%

---

---

---

---

---

---

---

---

- ### Learning Outcome
- Evaluate diagonal curb ramp for ADAAG compliance

---

---

---

---

---

---

---

---